



HD-CCTV NVR

Network Video Recorder

UHN Series

Product Manual

(EN Rev 1.17)

HD-CCTV NVR

Install & User Guide

HD-CCTV NVR Manual.

Thank you for purchasing a Network Video Recorder. Before installation or operation please become familiar with the user manual and other referenced manuals mentioned in the booklet. User manual, software and hardware described here are protected by copyright by law. With the exception of copying for general use within fair use, copying and reprinting of the user manual, either partially or in entirety, or translating it into any another language without the consent of our Corporate office is strictly prohibited.

Product Warranty and Limited Responsibility

The manufacturer does not assume any responsibility concerning the sale of this product and does not delegate any right to any third party to take any responsibility on its behalf. The product warranty does not cover cases of accidents, negligence, alteration, misuse or abuse. No warranty is offered for any attachments or parts not supplied by the manufacturer.

The manufacturer does not assume any responsibility for followings

- ✓ Malfunctions due to negligence by user
- ✓ Deliberate disassembly and replacement by user
- ✓ Connection of power source other than a properly rated power source
- ✓ Malfunctions caused by natural disasters (fire, flood, tidal wave, earthquake, etc)
- ✓ The warranty period for HDD is one year
- ✓ Any data damage due to HDD damage

The product is not for exclusive use of crime prevention but for assistance in cases as fire or theft. We take no responsibility for damage from any incident.



This equipment has been tested and found to comply with the limits for a Class A digital device, pursuant to part 15 of the FCC Rules.

These limits are designed to provide reasonable protection against harmful interference when the equipment is operated in a commercial environment.

This equipment generates, uses, and can radiate radio frequency energy and, if not installed and used in accordance with the instruction manual, may cause harmful interference to radio communications. Operation of this equipment in a residential area is likely to cause

Harmful interference in which case the user will be required to correct the interference at his own expense.



Correct Disposal of This Product (Waste Electrical & Electronic Equipment)

(Applicable in the European Union and other European countries with separate collection systems)

This marking on the product, accessories or literature indicates that the product and its electronic accessories (e.g. charger, headset, USB

Cable should not be disposed of with other household waste at the end of their working life. To prevent possible harm to the environment or human health from uncontrolled waste disposal, please separate these items from other types of waste and recycle them responsibly to promote the sustainable reuse of material resources.

Household users should contact either the retailer where they purchased this product or their local government office, for details of where and how they can take these items for environmentally safe recycling.

Business users should contact their supplier and check the terms and conditions of the purchase contract. This product and its electronic accessories should not be mixed with other commercial wastes for disposal.



Correct disposal of batteries in this product

(Applicable in the European Union and other European countries with separate battery return systems.)

This marking on the battery, manual or packaging indicates that the batteries in this product should not be disposed of with other household waste at the end of their working life. Where marked, the chemical symbols Hg, Cd or Pb indicate that the battery contains mercury, cadmium or lead above the reference levels in EC Directive 2006/66. If batteries are not properly disposed of, these substances can cause harm to human health or the environment.

To protect natural resources and to promote material reuse, please separate batteries from other types of waste and recycle them through your local, free battery return system.

Symbol	Publication	Description
	IEC60417, No.5032	Alternating current

Contents

Introduction 4

Warning 4

Main Specification by Models 5

Key Features 9

Components 11

Product Description 13

Installation 22

Connecting other devices 28

Appendix 33

Problem solving [FAQ] 33

Compatible HDD 34

Factory default set-up values 34

Product Dimension 36

Introduction

Warning

Warning

- ✓ Please do not bend or press power cord by force which could lead to fire.
- ✓ Be careful not to pull or plug with wet hands to avoid fire or electric shock.
- ✓ Must connect the power cord to a grounded outlet. It may cause electric shock and injury, and may cause product malfunction.
- ✓ In case of changing built-in lithium battery, it should be replaced with same brand or similar one to prevent a danger of explosion. Since old batteries could be a factor of environment contamination, please disposed of them properly.
- ✓ Do not throw the batteries in fire or heating units. Neither short circuit nor disassembly is prohibited.
- ✓ Do not open the top cover otherwise it could lead to electric shock and product damage.
- ✓ The previous recorded data is deleted if record continues when HDD is full so please check disk setup status.
- ✓ Manufacturer takes no responsibility for any damaged data due to customer's carelessness or negligence.

A-rated device(Broadcasting Communication Equipment for business use only)

Users/Sellers should under this is A-rated device for business use only and it must not be used outside of family.

Caution

- ✓ Do not place heavy objects on top of the product.
- ✓ Product is for indoor use only and it is not water or damp proof. Use product to its environmental specifications (Temperature & Humidity). To clean the product, gently wipe the outside with a clean dry cloth.
- ✓ Product uses AC power of 110V ~ 240V. Be cautious not to cause electric damages to the product.
- ✓ Be careful not to drop the product. Physical shocks may harm the product including internal HDD. In addition, please do not throw or drop it.
- ✓ Product is made of metal you can hurt another human if you throw or used as a weapon. Keep away from the reach of children and install in a safe place.
- ✓ If Product does not operate properly, please contact the manufacturer for service. Tampering or disassembling the product will void the warranty.
- ✓ The product can transmit real time video over network or internet and can be used for monitoring purpose depending on installation sites. So please check and review related regulations before installation.

Experience and technical skills are needed for the installation of this product. Improper installation may cause fire, electric shocks, or defects. Contact the nearest dealer for installations.

Contents of the manual can differ according to firmware or Software upgrade, and the appearance of products may be changed for the improvement of quality without an advance notice

◆ System power off

In case user turn off device by force while device is working, it could give damage on HDD and device so please turn off device safely using OSD menu. You should install a UPS system for safe operation in order to prevent damage caused by an unexpected power failure.

◆ Working Temperature

The working temperature of the product is 5°C~45°C or 41°F~113°F. NVR may not work properly if left in low temperature for a long period of time. If such is the case, then store at room temperature for some time before using it again.

Main Specification by Models

Function	4 channel PoE NVR (V3)	8 channel PoE NVR (V3)	16 channel PoE NVR (V3)	16 channel NVR (V2)
	UHN404P-H1-V3	UHN808P-H1-V3	UHN1616P-H2-V3	UHN1600-H2(V2)
HDD	SATA*1	SATA*1	SATA*2	SATA*2
HDD Hot Swap	X	X	X	X
Max Resolution of IP Camera	4K	4K	4K	4K
Recording	H.264, H.265	H.264, H.265	H.264, H.265	H.264, H.265
ONVIF	O	O	O	O
WESP	O	O	O	O
PoE	O	O	O	X
LAN port	1 WAN + 4 PoE	1 WAN + 8 PoE	1 WAN + 16 PoE	1
HDMI 4K	O	O	O	O
VGA	O	O	O	O
Remote DVR	O	O	O	O
Flame Detection	O	O	O	O
SENSOR IN	O	O	O	O
RELAY OUT	O	O	O	O

(O: Supported / X: Not-Supported)

Function	36 channel PoE NVR	16 channel RAID NVR	36 channel RAID NVR	64 channel RAID NVR
	UHN3616P-H4	UHN1600-H6R	UHN3600-H6R	UHN6400-H6R
HDD	SATA*4	SATA*6 + eSATA*1	SATA*6 + eSATA*1	SATA*6 + eSATA*1
HDD Hot Swap	X	X	X	X
Max Resolution of IP Camera	4K	4K	4K	4K
Recording	H.264, H.265	H.264, H.265	H.264, H.265	H.264, H.265
ONVIF	O	O	O	O
WESP	O	O	O	O
PoE	O (PoE, 16 Ports)	X	X	X
LAN port	1 + 16 PoE	2	2	2
HDMI 4K	O	O	O	O
VGA	O	O	O	O
Remote DVR	O	O	O	O
Flame Detection	O	O	O	O
SENSOR IN	O	O	O	O
RELAY OUT	O	O	O	O

(O: Supported / X: Not-Supported)

Function	16 channel FULL SIZE NVR	36 channel FULL SIZE NVR	64 channel FULL SIZE NVR	64 channel HOT SWAP NVR
	UHN1600-H8	UHN3600-H8	UHN6400-H8	UHN6400-H16S
HDD	SATA*8 + eSATA*2	SATA*8 + eSATA*2	SATA*8 + eSATA*2	SATA*16 + eSATA*1
HDD Hot Swap	X	X	X	O
Max Resolution of IP Camera	4K	4K	4K	4K
Recording	H.264, H.265	H.264, H.265	H.264, H.265	H.264, H.265
ONVIF	O	O	O	O
WESP	O	O	O	O
PoE	X	X	X	X
LAN port	2	2	2	2
HDMI 4K	O	O	O	O
VGA	O	O	O	O
Remote DVR	O	O	O	O
Flame Detection	O	O	O	O
SENSOR IN	O	O	O	O
RELAY OUT	O	O	O	O

(O: Supported / X: Not-Supported)

<Note>

- 1) It is highly recommended that category 6 ethernet cable. If you don't use category 6 gigabit ethernet cable, it may cause not saving video when data traffic is high.
- 2) Shielded ethernet cable must be used for PoE port.
- 3) The name of mobile application is WEBEYE.
- 4) 64 channel NVR has 2 eSATA ports, but currently, only one eSATA is supported. 2 eSATA will be supported soon.
- 5) NVR can receive network camera's sensor input even if NVR does not have SENSOR IN.
- 6) Bitrate of network camera is set by the Q level of NVR's program page. Bitrate according to Q level and resolution is shown as below table. This table shows the bitrate of 1st stream and the bitrate of 2nd stream is set by about 15% of the bitrate of 1st stream. Thus, the total bitrate according to Q level is bitrate (in below table) x 1.15.

Some network camera supports limited bitrate, and for that case, the real bitrate can be different from the below table. Real 1st stream's bitrate is shown in [Func Menu] > [Information] > [Camera] and total bitrate is shown in [Func Menu] > [Information] > [Network].

Resolution	2M pixels	4M pixels	8M pixels
Bitrate (for 30fps)	Q10 : 8000Kbps	Q10 : 12000Kbps	Q10 : 16000Kbps
	Q9 : 6666Kbps	Q9 : 10000Kbps	Q9 : 13333Kbps
	Q8 : 5333Kbps	Q8 : 8000Kbps	Q8 : 10666Kbps
	Q7 : 4000Kbps	Q7 : 6000Kbps	Q7 : 8000Kbps
	Q6 : 3533Kbps	Q6 : 5300Kbps	Q6 : 7066Kbps
	Q5 : 3066Kbps	Q5 : 4600Kbps	Q5 : 6133Kbps
	Q4 : 2600Kbps	Q4 : 3900Kbps	Q4 : 5200Kbps
	Q3 : 2133Kbps	Q3 : 3200Kbps	Q3 : 4266Kbps
	Q2 : 1666Kbps	Q2 : 2500Kbps	Q2 : 3333Kbps
	Q1 : 1333Kbps	Q1 : 2000Kbps	Q1 : 2666Kbps

- 7) PoE NVR V3 series products support the Midspan PoE mode, and it may not be compatible with some switching hubs.

※ **PoE modes**

- **Midspan** : Data is transferred through wires 1, 2, 3 and 6 of UTP cable, and power is transferred through wires 4, 5, 7 and 8 which are not used for data communication.
- **Endspan** : It delivers both data and power through same UTP wires.

Key Features

Products support IP camera supporting Onvif Profile-S or WESP. Products support real-time live monitoring, real-time recording/playback, backup, push alarm and audio of connected IP camera.

Other DVR's video channel can be treated as an IP camera and NVR supports all NVR functions to other DVR's video channel.

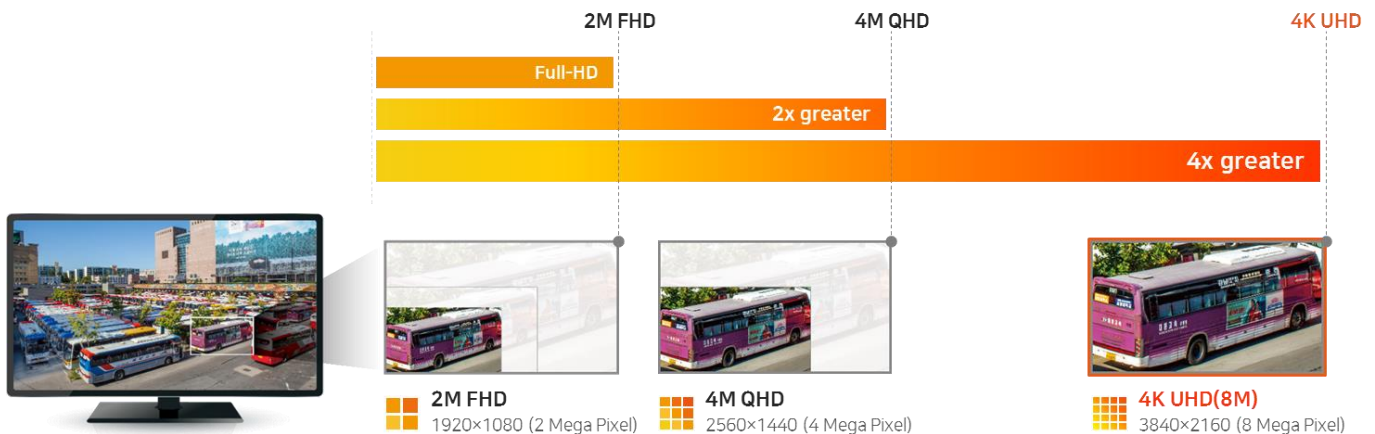
Also, it is possible to control NVR from other PC located in remote place such as Windows PC's 'remote desktop'. (Remote DVR function)

Products can record video from max 5 seconds before event occurrence and record up to 30 fps per channel.

- ✓ Supports IP camera
 - Onvif Profile-S
 - WESP
- ✓ Remote DVR function
- ✓ Supports Normal/Event Record, Schedule/Event Record, Emergency Record
- ✓ Supports archiving event list (sensor, video loss, motion detection, Text, Flame detection)
- ✓ Max 5 seconds pre-alarm recording per each channel

UHD (Ultra High Definition)

The max supporting resolution of IP camera is 4K UHD. Also, 4K UHD video output is supported.



PoE (Power over Ethernet)

The power can be supplied to IP camera using only ethernet cable (not required any other power cable). It is highly recommended that shielded Ethernet cable must be used for PoE port.

Flame Detection

Flame detection camera (N1080BL-AF-F2, NK1080BL-AF-F2) which is equipped with feature to detect flame can be connected to NVR and it will notify manager of flame alarm quickly throughout NVR, CMS and mobile phone.

Screen Output

- ✓ Supports 4K UHD monitor output
- ✓ Various Multi-division Screen Mode -1, 2, 4, 6, 9, 10, 13, 16, 25, 36, 64, Custom A/B/C
- ✓ Auto Sequence, Event Pop-up

Voice Recording

Supports real time voice input and recording function.

- ✓ Real time 1ch voice input and recording function
- ✓ Input: 1ch RCA, Output : 1ch RCA (Rear), 1ch HDMI (Rear)
- ✓ Audio recording and playback can be performed simultaneously

Search and Playback

Various useful functions for search & playback

- ✓ Simultaneous playback for every channel
- ✓ Playback by time, date, channel
- ✓ Time / Calendar / Event / Thumbnail / Bookmark search

Save and Backup

You can record video data into the internal HDD, and image can be copied to USB memory.

- ✓ Backup device: USB memory stick (FAT32)
- ✓ External storage device: e-SATA HDD or NS04R (exclusive network storage device)
 - Support max 128 TB using internal storage and e-SATA

Network

Supports LAN, xDSL, and etc., and key functions can easily be controlled by web browser or customized CMS program.

- ✓ Live monitoring/playback/backup from the remote site
- ✓ Multi-streaming feature for slow network environment (supports nHD monitoring)
- ✓ Sending event info(image) using E-Mail/ FTP
- ✓ Recorded video playback, save, search function, and NVR control function on PC via CMS
- ✓ Mobile application for android and iOS.
- ✓ Supports 10/100/1000 Mbps Ethernet/xDSL
- ✓ Managing up to 1024 NVRs with CMS
- ✓ Supports HTML5 Webviewer
- ✓ Remote DVR for controlling and monitoring NVR at remote place

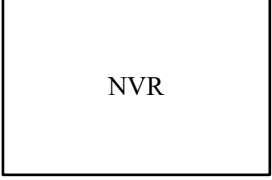

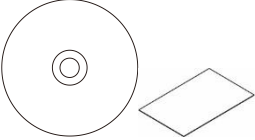
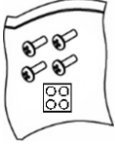
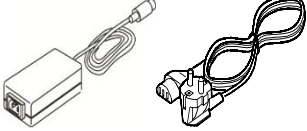
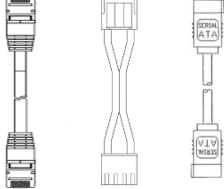
Others

- ✓ User friendly GUI and mouse
- ✓ Easy and simple firmware upgrade, and recorded video back up function using USB stick
- ✓ Using Ac the PC Playback function, replay the NVR's HDD on a PC
(HDD set as RAID could not be played on the PC, even if HDD is connected to PC)
- ✓ Supports PTZ Control, PRESET and PATROL function
- ✓ Support Onvif Profile-S
- ✓ Booting logo and empty channel logo can be changed
- ✓ Changing multiple channel names using USB memory
- ✓ Reset button on the rear panel of NVR (V3 model only)

Components

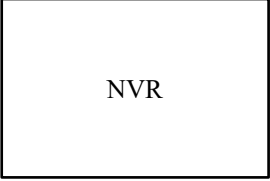

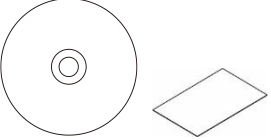
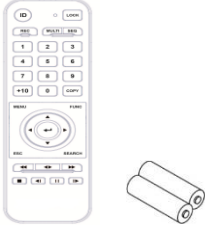
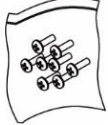
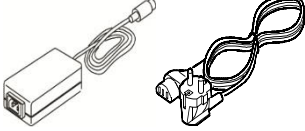
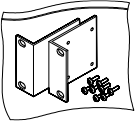
Please check the below to make sure you have every part.

4 / 8 / 16 CHANNEL PoE NVR (V3)

		
NVR	Mouse	SW & Manual CD Quick guide
		
HDD mounting screw Rubber feet for bottom plate	Adapter & Power Cord	LAN cable HDD power cable(*) SATA cable(*)

* It can be differently applied depending on models

16 CHANNEL NVR (V2) / 36 CHANNEL PoE NVR / 16 CHANNEL FULL SIZE NVR / 36 CHANNEL FULL SIZE NVR / 64 CHANNEL FULL SIZE NVR / 16 CHANNEL RAID NVR / 36 CHANNEL RAID NVR / 64 CHANNEL RAID NVR

			
NVR	Mouse	SW & Manual CD Quick guide	Remote Control & Batteries (*)
			
HDD mounting screw	Adapter & Power Cord (*)	19" Rack bracket & screw (*)	

* It can be differently applied depending on models.

64 CHANNEL HOT SWAP NVR

Part name	Component name	Quantity
NVR	NVR	1 EA
HDD guide componets	HDD guide	32 EA
	HDD mounting screw	64 EA
Lack mount components	Lack mount	2 EA
	Lack mounting screw	6 EA
ETC	SW & Manual CD	1 EA
	Mouse	1 EA
	AC power cord	1 EA
	Key	2 EA
	Foot	2 EA
	Terminal block	5 terminal : 2 EA 6 terminal : 2 EA

Product Description

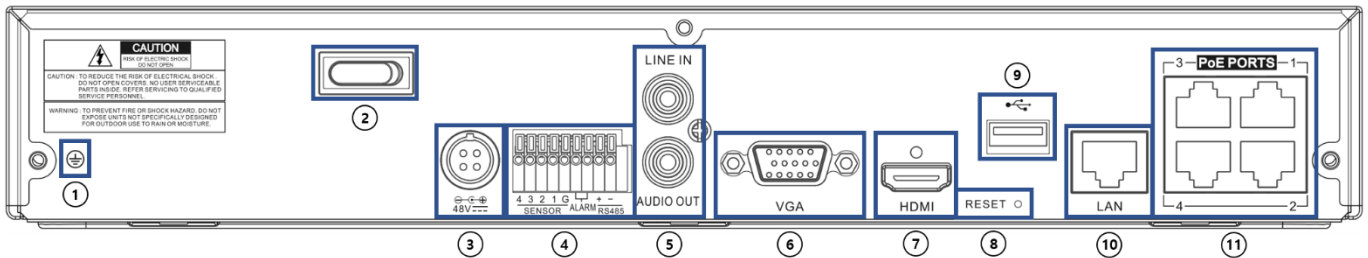
4 CHANNEL PoE NVR (V3)

Front view



part name	function description
1 USB Port	USB port for USB memory or mouse.
2 POWER	It turns on when power is ON
REC	Shows record status and it turns on while recording

Rear view



No.	part name	function description
1	Ground Connection	Connection terminals that connects NVR to an outside device
2	POWER	Power ON/OFF switch
3	DC 48V	DC 48V adapter port
4	SENSOR IN / ALARM OUT / RS485	SENSOR IN: External sensor input port ALARM OUT: Relay connection port. RS485 : RS485 communication port. WKC-200 keyboard can be available.
5	LINE IN / AUDIO OUT	LINE IN : LINE(Audio) input connection terminal AUDIO OUT : Speaker output terminal
6	VGA	Video output port for VGA monitor
7	HDMI	Video output port for main (HDMI) monitor
8	RESET	It initialize the all setting values to factory default. 1) Turn off the power with power switch, and turn on the power again while pressing the reset button. 2) Release the reset button after about 5 seconds then NVR will be initialized.
9	USB	USB port for USB memory or mouse.
10	LAN	Network connection terminal (RJ-45) for 'IP address 1'
11	PoE PORTS	Network connection terminal (RJ-45) for PoE IP camera. IP addresses of IP camera connected to PoE should have the same IP address band with 'IP address 2'.

<Warning>

PoE NVR V3 series* products support the Midspan PoE mode, and it may not be compatible with some switching hubs..

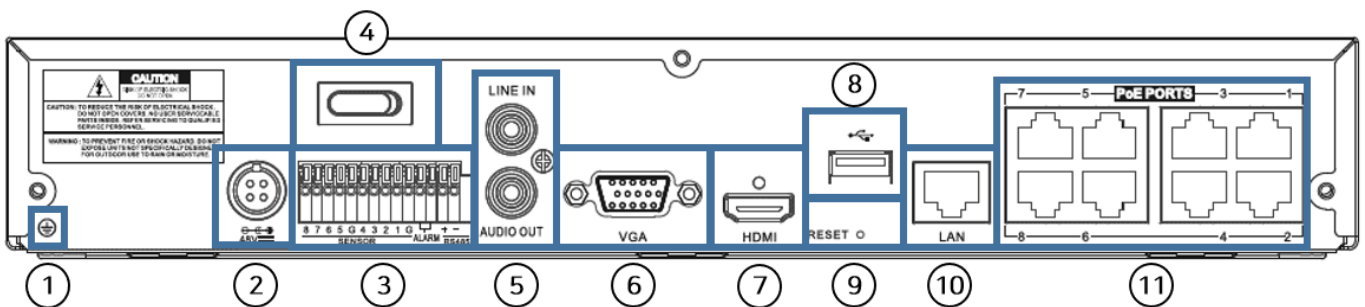
8 CHANNEL PoE NVR (V3)

Front view



	part name	function description
1	USB Port	USB port for USB memory or mouse.
2	POWER	It turns on when power is ON
	REC	Shows record status and it turns on while recording

Rear view



No.	part name	function description
1	Ground Connection	Connection terminals that connects NVR to an outside device
2	DC 48V	DC 48V adapter port
3	EXTERNAL I/O	EXTERNAL I/O port (SENSOR IN, RELAY OUT, RS485)
4	POWER	Power ON/OFF switch
5	LINE IN / AUDIO OUT	LINE IN : LINE(Audio) input connection terminal AUDIO OUT : Speaker output terminal
6	VGA	Video output port for VGA monitor
7	HDMI	Video output port for main (HDMI) monitor
8	USB	USB port for USB memory or mouse.
9	RESET	It initialize the all setting values to factory default. 1) Turn off the power with power switch, and turn on the power again while pressing the reset button. 2) Release the reset button after about 5 seconds then NVR will be initialized.
10	LAN	Network connection terminal (RJ-45) for 'IP address 1'
11	PoE PORTS	Network connection terminal (RJ-45) for PoE IP camera. IP addresses of IP camera connected to PoE should have the same IP address band with 'IP address 2'.

< Warning >

PoE NVR V3 series* products support the Midspan PoE mode, and it may not be compatible with some switching hubs..

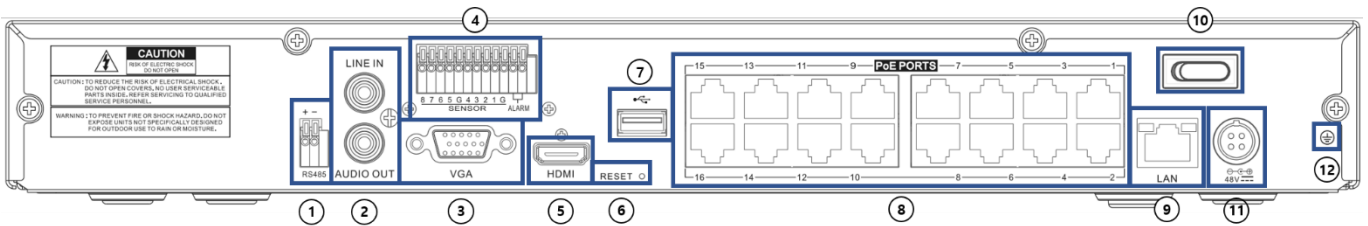
16 CHANNEL PoE NVR (V3)

Front view



	part name	function description
1	USB Port	USB port for USB memory or mouse.
2	POWER	It turns on when power is ON
	REC	Shows record status and it turns on while recording

Rear view



No.	part name	function description
1	RS485	RS485 : RS485 communication port. WKC-200 keyboard can be available.
2	LINE IN / AUDIO OUT	LINE IN : LINE(Audio) input connection terminal AUDIO OUT : Speaker output terminal
3	VGA	Video output port for VGA monitor.
4	SENSOR IN / ALARM OUT	SENSOR IN: External sensor input port ALARM OUT: Relay connection port.
5	HDMI	Video output port for main (HDMI) monitor
6	RESET	It initialize the all setting values to factory default. 1) Turn off the power with power switch, and turn on the power again while pressing the reset button. 2) Release the reset button after about 5 seconds then NVR will be initialized.
7	USB	USB port for USB memory or mouse.
8	PoE PORTS	Network connection terminal (RJ-45) for PoE IP camera. IP addresses of IP camera connected to PoE should have the same IP address band with 'IP address 2'.
9	LAN	Network connection terminal (RJ-45) for 'IP address 1'
10	POWER	Power ON/OFF switch
11	DC 48V	DC 48V adapter port
12	Ground Connection	Connection terminals that connects NVR to an outside device

< Warning >

PoE NVR V3 series* products support the Midspan PoE mode, and it may not be compatible with some switching hubs..

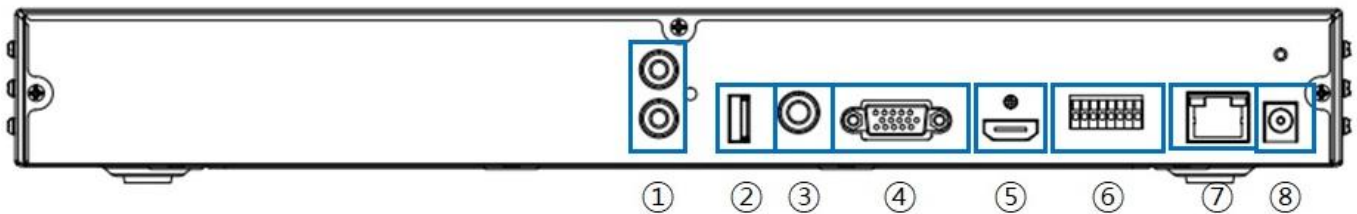
16 CHANNEL NVR (V2)

Front view



	part name	function description
1	USB port	USB port for flash memory or mouse.
2	PWR	It turns on when power is ON
	REC	Shows record status while recording
	EVENT	Turns on if event is triggered
	NET	Shows network connection status and it flickers if network is connected

Rear view



No.	part name	function description
1	AUDIO IN/AUDIO OUT	AUDIO IN: Audio input connection terminal AUDIO OUT: Speaker output terminal
2	USB3.0	USB port for USB memory, mouse. It supports upto USB 3.0.
3	CVBS	Connection port for CVBS output
4	VGA	Video output port for VGA monitor
5	HDMI	Video output port for main (HDMI) monitor
6	EXTERNAL I/O	EXTERNAL I/O port (SENSOR IN, RELAY OUT, RS485)
7	LAN	Network connection terminal (RJ-45)
8	DC IN	DC 12V adapter port

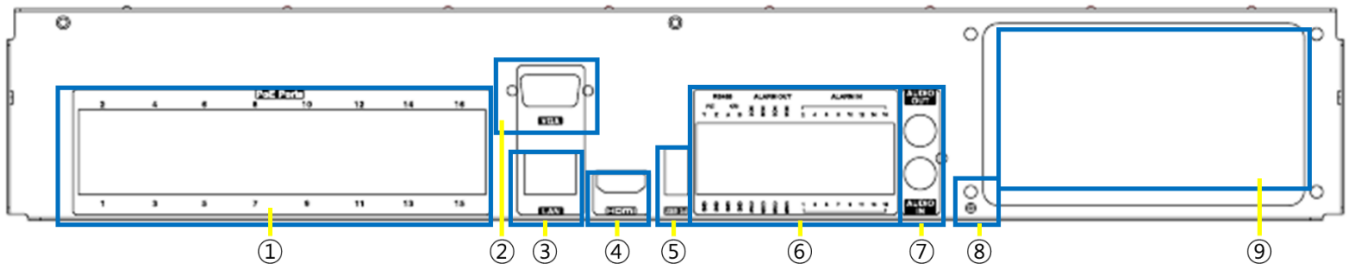
36 CHANNEL PoE NVR

Front view



part name		function description
1	REC	Shows record status and it turns on while recording
	NET	Shows network connection status and it turns on if network is connected
	PWR	It turns on when power is ON
2	USB port	USB port for USB memory or mouse.

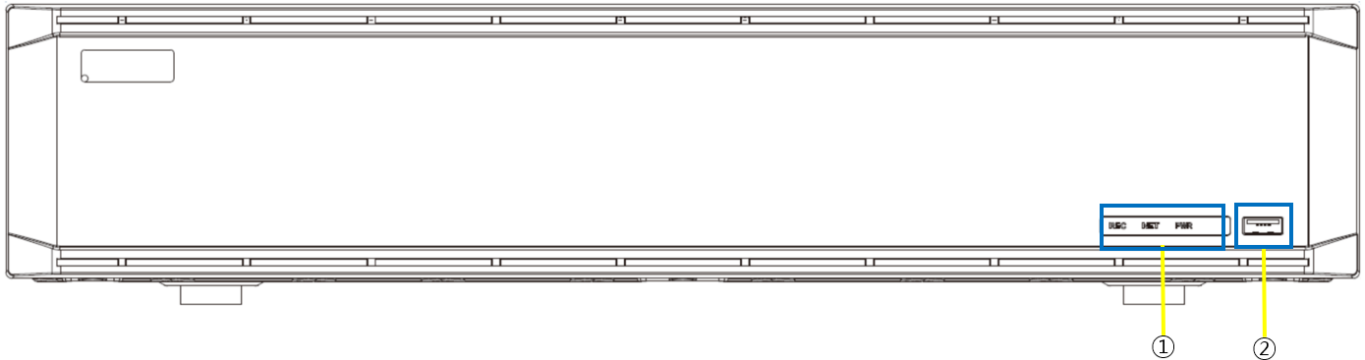
Rear view



No.	part name	function description
1	PoE Ports	36 channel PoE NVR supports max 16 PoE. IP addresses of IP camera connected to PoE should have the same IP address band with 'IP address 2'.
2	VGA	Video output port for VGA monitor
3	LAN	Network connection terminal (RJ-45) for 'IP address 1'
4	HDMI	Video output port for main (HDMI) monitor
5	USB3.0	USB port for USB memory, mouse, etc. It supports upto USB 3.0.
6	RS485 / ALARM OUT / ALARM IN	RS485 K/B: RS485 communication port. WKC-200 keyboard can be available. RS485 P/Z: not available ALARM OUT: Relay connection port ALARM IN: External sensor input port
7	AUDIO IN/AUDIO OUT	AUDIO IN : Audio input connection terminal AUDIO OUT : Speaker output terminal
8	Ground Connection	Connection terminals that connects NVR to an outside device
9	Power Input	AC100V~AC240V power cord socket. If power cord is not connected to an grounded outlet, it may cause damage or malfunction of the product.

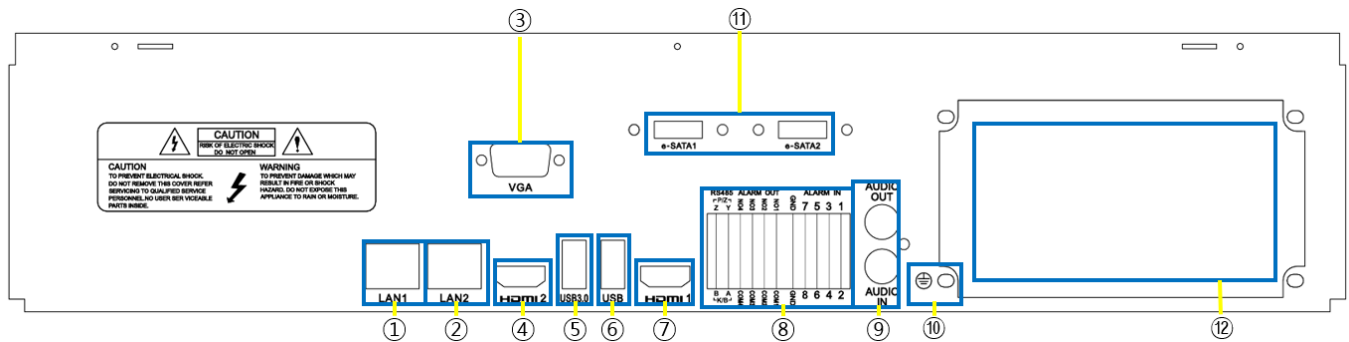
16 CHANNEL FULL SIZE NVR / 36 CHANNEL FULL SIZE NVR / 64 CHANNEL FULL SIZE NVR

Front view



	part name	function description
1	REC	Shows record status and it turns on while recording
	NET	Shows network connection status and it turns on if network is connected
	PWR	It turns on when power is ON
2	USB port	USB port for USB memory or mouse.

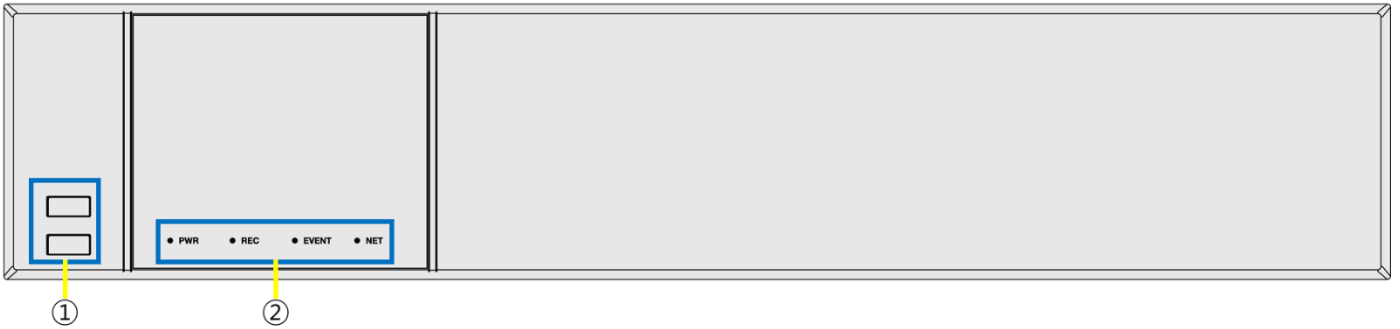
Rear view



No.	part name	function description
1	LAN1	Network connection terminal (RJ-45) for 'IP address 1'
2	LAN2	Network connection terminal (RJ-45) for 'IP address 2'
3	VGA	Video output port for VGA monitor
4	HDMI2	Video output port for sub (HDMI) monitor
5	USB port	USB port for USB memory, mouse, etc.
6	USB port	USB port for USB memory, mouse, etc.
7	HDMI1	Video output port for main (HDMI) monitor
8	RS485 / ALARM OUT / ALARM IN	RS485 K/B: RS485 communication port. WKC-200 keyboard can be available. RS485 P/Z: not available ALARM OUT: Relay connection port ALARM IN: External sensor input port
9	AUDIO IN/AUDIO OUT	AUDIO IN: Audio input connection terminal AUDIO OUT : Speaker output terminal
10	Ground Connection	Connection terminals that connects NVR to an outside device
11	e-SATA1 / e-SATA2	e-SATA ports for external SATA storage devices
12	Power Input	AC100V~AC240V power cord socket. If power cord is not connected to an grounded outlet, it may cause damage or malfunction of the product.

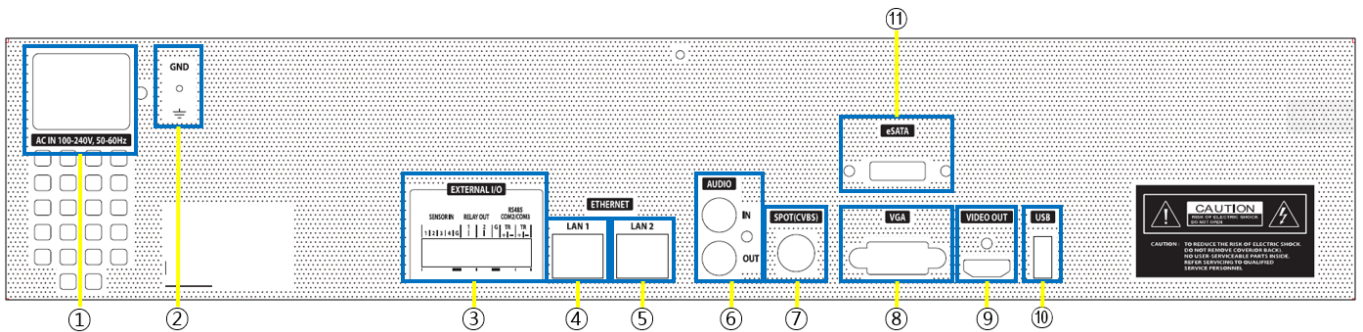
16 CHANNEL RAID NVR / 36 CHANNEL RAID NVR / 64 CHANNEL RAID NVR

Front view



part name	function description
1	USB port USB port for flash memory or mouse.
2	PWR It turns on when power is ON
	REC Shows record status while recording
	EVENT Turns on if event is triggered
	NET Shows network connection status and it flickers if network is connected

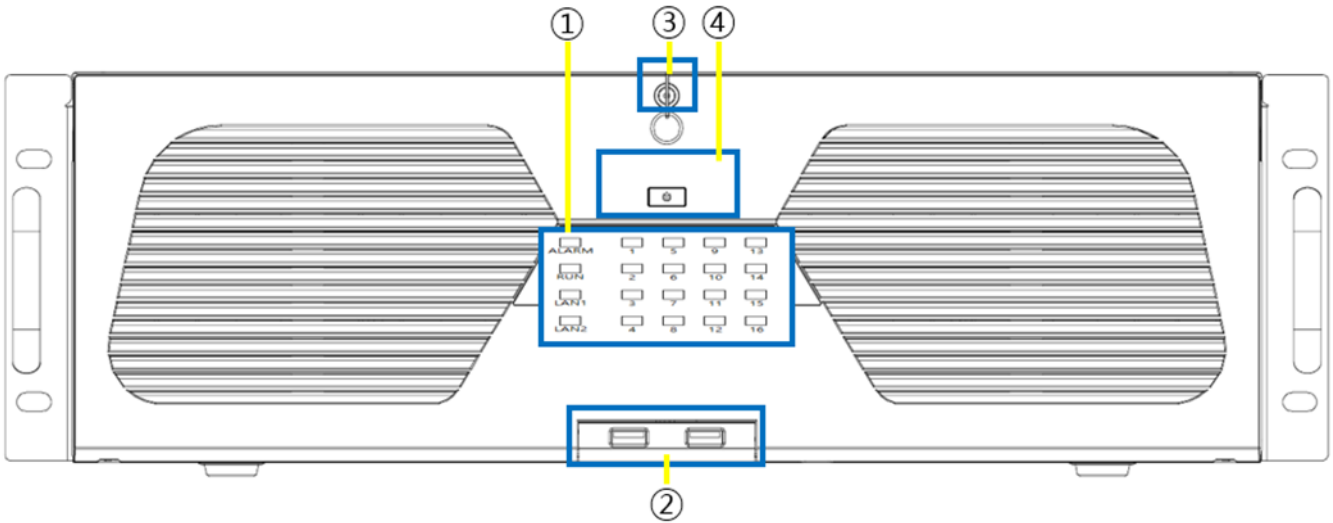
Rear view



No.	part name	function description
1	AC IN 100~240V, 50~60Hz	AC100V~AC240V power cord socket. If power cord is not connected to an grounded outlet, it may cause damage or malfunction of the product.
2	GND	Connection terminals that connects DVR to an outside device
3	SENSOR IN / RELAY OUT / RS485	Sensor: External sensor input terminal. Relay: Relay connect terminal. RS485 Com2/3: For connection with RS-485 device.
4	LAN1	Network connection terminal (RJ-45) for 'IP address 1'
5	LAN2	Network connection terminal (RJ-45) for 'IP address 2'
6	AUDIO IN / AUDIO OUT	Audio Input: Audio input connection terminal Audio Output : Speaker output terminal
7	SPTO(CVBS)	Connection port for CVBS SPOT monitor
8	VGA	Video output port for VGA monitor
9	HDMI	Video output port for main (HDMI) monitor
10	USB	USB port for USB memory or mouse.
11	e-SATA	e-SATA ports for external SATA storage devices

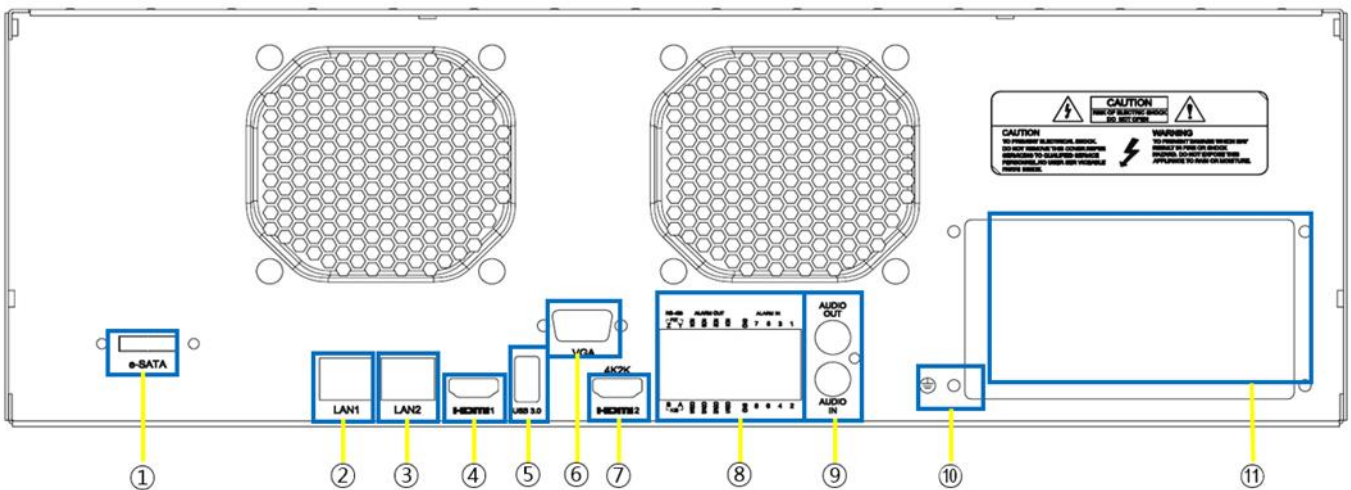
64 CHANNEL HOT SWAP NVR

Front view



part name	function description	
1	ALARM RUN LAN1 LAN2 1~16	Shows event status and it turns on if event is occurred It turns on when power is ON Shows network connection status of LAN1 and it turns on if network is connected Shows network connection status of LAN2 and it turns on if network is connected Shows HDD status. It turns on if that HDD is connected and it flickers if that HDD is in use (read or write)
2	USB port	USB port for USB memory or mouse.
3	Front lock	Front lock for HDD exchange. User should unlock to exchange HDD.
4	Power button	Power button

Rear view



No.	part name	function description
1	e-SATA	e-SATA ports for external SATA storage devices
2	LAN1	Network connection terminal (RJ-45) for 'IP address 1'
3	LAN2	Network connection terminal (RJ-45) for 'IP address 2'
4	HDMI2	Video output port for sub (HDMI) monitor
5	USB 3.0	USB port for USB memory, mouse, etc. It supports upto USB 3.0.
6	VGA	Video output port for VGA monitor
7	HDMI1	Video output port for main (HDMI) monitor
8	RS485 / ALARM OUT / ALARM IN	RS485 K/B: RS485 communication port. WKC-200 keyboard can be available.

No.	part name	function description
		RS485 P/Z: not available ALARM OUT: Relay connection port ALARM IN: External sensor input port
9	AUDIO OUT/AUDIO IN	AUDIO IN : Audio input connection terminal AUDIO OUT : Speaker output terminal
10	Ground Connection	Connection terminals that connects NVR to an outside device
11	Power Input	AC100V~AC240V power cord socket. If power cord is not connected to an grounded outlet, it may cause damage or malfunction of the product.

Installation

Check settings

This NVR is high quality security device with a high capacity built-in HDD and important circuits. Before installation, please read carefully below recommendations as high internal temperature of the product can lead to damages and shorten product life cycle.

Power ground

Must connect the power cord to the grounded outlet.
If not, it may cause electrical shock, damage or malfunction of product.



Recommendations on installing a NVR in a rack.

1. Don't seal the inside of rack where NVR is installed.
2. Keep airflow through inlet and outlet.
3. If there is another device installed in the rack, secure additional space or install air ventilation.
4. Installation of an air circulation fan around each inlet and outlet is strongly recommended.
(Install filter around inlet or outlet for harmful substances)
5. Keep ambient temperature between 5°C~45°C around NVR.
6. Please connect the ground of NVR and ground of rack.

Warnings if HDD is installed

1. Please be extra careful not to damage HDD as it easily breaks.
2. During installation, make sure insulated coat doesn't come off or isn't placed in the wrong place.
3. Don't lose screws and parts.
(If screws and parts are not screwed or assembled correctly, product may not operate)
4. Check HDD compatibility list HDD
(Please check with CS team of manufacturer.)
5. Partition table must be removed for HDDs used in PC or other NVR models before installation.

Adding HDD

Remove the power cord before installation to protect NVR against possible damage and an electric shock.
Please call the store you purchased the product from if it isn't operating correctly due to installation or configuration mistakes.

- ✓ **Warnings regarding Data loss**
Please handle with care so HDD data isn't damaged.
Check HDD compatibility before installing additional HDD.
Be careful not to give any shock on HDD during operation which could lead to possible damage or malfunction
- ✓ **Cases when HDD and its data can be damaged.**
To minimize the data loss, please copy data as often as you can.
Physical shock during disassembly or installation may lead to Data damage.
Sudden power outage or turn off of NVR can damage HDD.
Please don't try to move or shock NVR while HDD is working.

HDD installation

4 CHANNEL PoE NVR / 8 CHANNEL PoE NVR (V3)



① Loosen the screws to open the cover.



② Connect the power and data cables.



③ Turn over the machine and secure the HDD with the screws.



④ Install back the cover and secure it with the screws.

16 CHANNEL PoE NVR (V3)



① Loosen the screws to open the cover.



② Slide the two screws slightly into the holes in the HDD.



③ Turn over the machine and secure the HDD with the screws.



④ Connect the power and data cables.



⑤ Turn over the machine and secure the HDD with the screws.

16 CHANNEL NVR (V2)

This series of the product supports 2 SATA hard drives. Please make sure that the device is powered off before the installation. The pictures of the installation are only for reference, please take the real object as the standard.



① Loosen the screws to open the cover.



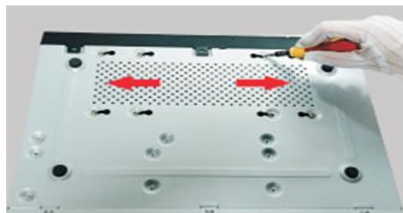
② Slide the two screws slightly into the holes in the HDD.



③ Put the HDDs onto the bottom of the device.



④ Connect the power and data cables.



⑤ Turn over the machine and secure the HDD with the screws.



⑥ Install back the cover and secure it with the screws.

<NOTE>

In case of using HDD with power consumption over 6W, it is highly recommended to use optional adaptor with higher current (DC 12V 5A). (16 channel NVR (V2) includes DC 12V 5A adaptor as default.)

36 CHANNEL PoE NVR

This series of the product supports 4 SATA hard drives. Please make sure that the device is powered off before the installation. The pictures of the installation are only for reference, please take the real object as the standard.



① Loosen the screws to open the cover.



② Slide the two screws slightly into the holes in the HDD.



③ Turn over the machine and place the HDD with two screws onto the bottom of the case. Then lock the screws according to the order of the marks.



④ Install the other three HDDs according to above-mentioned method.



⑤ Connect the power and data cables.

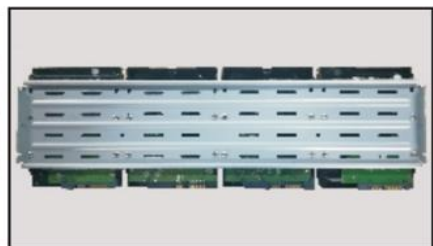


⑥ Install the cover back and fix it.

16 CHANNEL FULL SIZE NVR / 36 CHANNEL FULL SIZE NVR / 64 CHANNEL FULL SIZE NVR

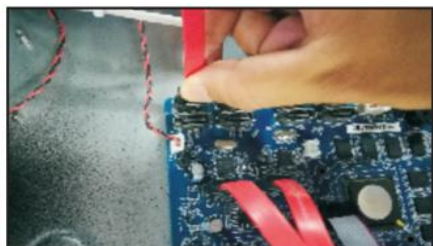
This product supports 8 SATA hard drives. The pictures of the installation are only for reference, please take the real object as the standard. Please make sure that the device is powered off before the installation.

- ① Remove the cover and loosen the screws to take out two mounting bars.
- ② Fix the HDDs on the mounting bar with screws.



③ Install the two mounting bars with HDDs back to the device (It is recommended to install the copper-pillar provided in case the HDDs are damaged by external forces).

④ Connect the power and data cables.

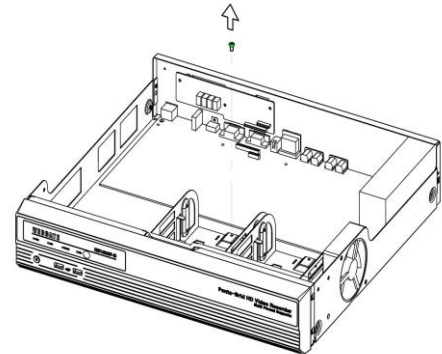


⑤ Install back the cover and secure it with the screws.

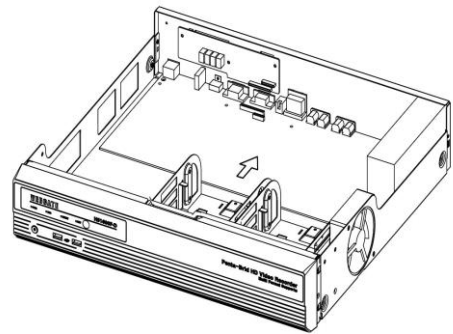
Tips: Please check the inside structure of the device and make sure the cables connected well before installing the cover back.

16 CHANNEL RAID NVR / 36 CHANNEL RAID NVR / 64 CHANNEL RAID NVR

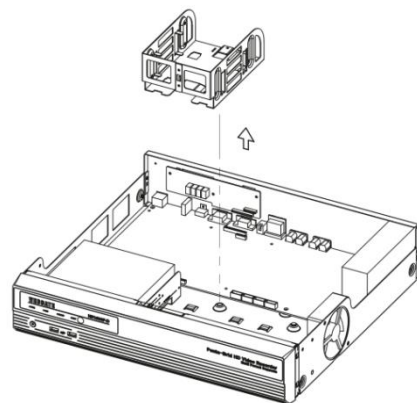
1. Unscrew bracket screws that are fixing it to a NVR.



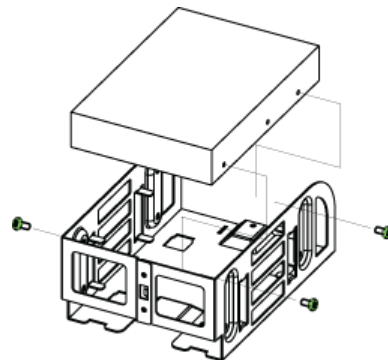
2. Push HDD bracket to a direction shown in the right picture and separate from fixtures.



3. Lift HDD bracket to a direction shown in the right picture and separate from the bottom.



4. Place HDD in a HDD bracket and fasten 4 screws on each side.



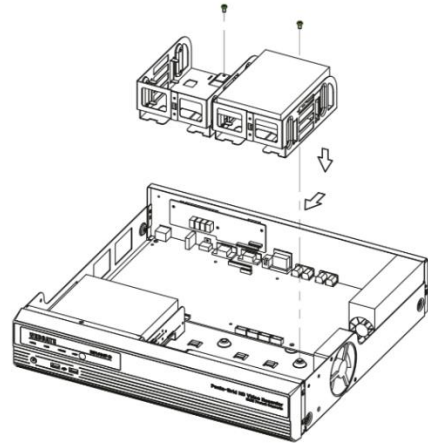
5. Place HDD bracket fastened with screws in NVR and fasten it on the bottom with screws.

<Note>

Below is SATA cable socket sequence of a mainbaord.
Up to 6 HDDs can be installed inside NVR.

INT F can not be used as RAID function.

Main Board	Disk Manager
INT A	INT A
INT B	INT B
INT C	INT C
INT D	INT D
INT E	INT E
INT F	INT F
eSATA	eSATA



64 CHANNEL Hot Swap NVR

This series of the product supports 16 SATA hard drives. Please make sure that the device is powered off before the installation.



① Get the brackets and screws of installing HDDs from the accessories and then fix two brackets to the HDD.



② Open the front panel of the device.



③ Use one hand to hold the handles of the two brackets respectively and push the HDD into the HDD slot. Clamp the HDD to make sure the HDD to install successfully.



④ Choose the number of installing HDDs according to your need as above-mentioned methods.

<Warning>

The HDD guide is made of plastic, so be careful not to apply strong force or to damage it when assembling screws with strong torque.

Connecting other devices

VIDEO Output (HDMI) connection

Support HDMI monitor having 1920X1080 and UHD/4K (3840X2016) resolution. Also, NVR can automatically detect the max resolution of HDMI monitor when the HDMI resolution is set to "UHD/4K (Preferred)". So, if the monitor supports only FHD, the video output resolution will be FHD. If the monitor supports UHD/4K, the video output resolution will be UHD/4K.

Some monitor can be detected as FHD monitor even if the monitor supports UHD/4K. At that case, please set the NVR's HDMI resolution as "UHD/4K (Fixed)".

Note that 4 channel PoE NVR and 8 channel PoE NVR support 1920x1080 only.

VGA Monitor connection

VGA output supports main monitor output (HDMI duplicate) and SPOT output*. The supported resolutions are 800x600, 1024x768, 1280x1024 and 1920x1080. Please check the supported resolution of monitor.

* Adopted differently based on product specification

<Note>

- ✓ **Reboot is required when the HDMI resolution is changed**
Select the resolution at [Menu – Device – Monitor – HDMI Resolution] and reboot
- ✓ **Changing VIDEO output resolution by Remote Controller**
Push [FUNC-4-2-3-1-2-X-FUNC-MULTI] button sequentially and resolution will be changed according to the value of X.
X: 1 – 1920x1080(2M)
X: 2 – 3840x2160(UHD/4K Preferred)
X: 3 – 3840x2160(UHD/4K Fixed)
- ✓ **Changing the mode of VGA / SDI output**
Select the mode of VGA / SDI output at [Menu – Device – Monitor – SDI/VGA/CVBS Output] and reboot.
- ✓ **Changing VGA output resolution**
[Menu – Device – Monitor – VGA Resolution]: select resolution of VGA output.
Please reboot after changing completed.
- ✓ **Changing VGA output resolution by Remote Control**
Push [FUNC-4-2-3-1-2-X-FUNC-MULTI] button sequentially and resolution will be changed according to the value of X.
X: 1 - 800x600
X: 2 - 1024x768
X: 3 - 1280x1024
X: 4 - 1920x1280

<Caution>

1. Must connect the power cord to the grounded outlet. If not, it may cause electric shock or injury, and may cause the damage or malfunction of product.
2. It is recommended to use certified HDMI cable. If the cable is not a certified cable, 4K UHD may not be displayed. (Recommended: HDMI 2.0 certified cable)
3. If HDMI resolution is set to "UHD/4K (Preferred)" and HDMI monitor does not support 3840x2160 (4K UHD), then the resolution of video output will be automatically changed to 1920x1080. If monitor supports 4K UHD, then the resolution of video output will be automatically changed to 4K UHD. *
4. If HDMI resolution is set to "UHD/4K (Fixed)" and HDMI monitor does not support 3840x2160 (4K UHD), then monitor cannot display anything. Please change the HDMI resolution to 1920x1080 by Remote Controller.

* It can be differently applied depending on models.

Connecting a Camera

Please connect the network cable and register/connect the IP cameras using UI. IP cameras supporting Onvif Profile-S or WESP can be connected. Also, other DVR (supporting WESP)'s channel can be connected such as an IP camera.

Connecting a power cord

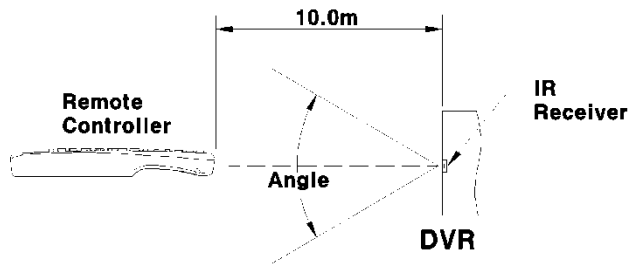
When power cord is connected, NVR starts booting automatically.

Connecting an audio

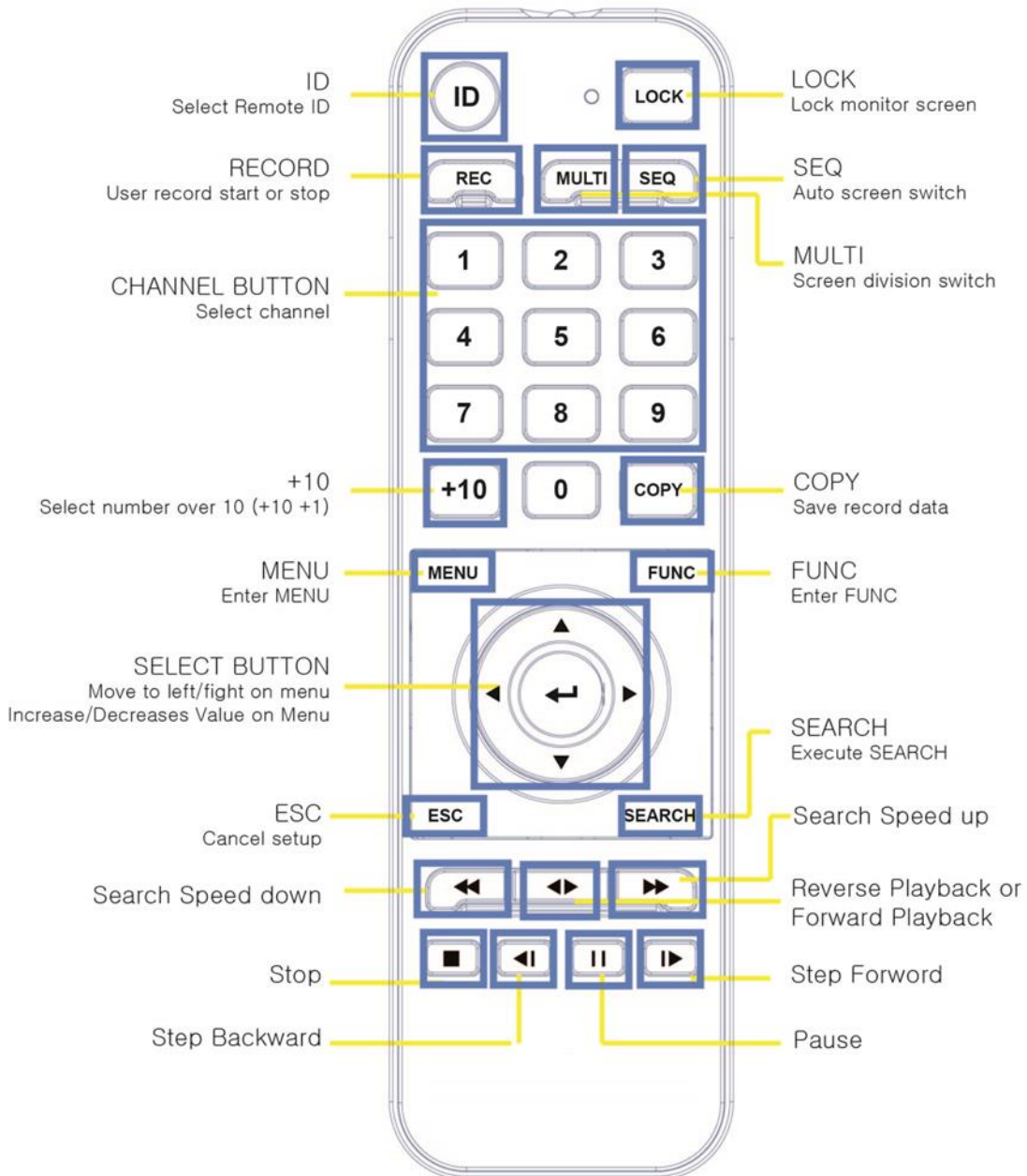
RCA cable to connect audio input/output devices to NVR.

Remote control

Can use every function of the DVR and control several DVRs with only one remote control. To be able to use the remote control, please create a user ID on the remote control ID section of system settings. (See the right picture for working angle of a remote control)



Horizontal Angle : $\pm 30^\circ$
Vertical Angle : $\pm 30^\circ$



Connecting external device

Connecting USB Device

USB port can be used for copy of recorded data and for mouse.
See below table for USB Device specifications.

USB specifications	Ver 2.0 or later
Usable device	USB Memory Stick
Voltage specifications	DC 5V / Max. 1A

<Caution>

USB memory stick should be formatted as FAT32.

NVR may not recognize USB Flash memories that require additional program on MS Windows.

Connecting eSATA Device

(Only for models supporting eSATA) If external eSATA storage is used, it can be connected to a rear eSATA port. Additional power for eSATA device will be required as NVR doesn't supply power.

<Note>

1. Check compatibility of eSATA with NVR as not all eSATA are compatible with NVR.
2. If eSATA is connected to NVR when it is on, it may not be recognized depending on external devices. So we recommend following the below steps.
 - 1) Turn off NVR.
 - 2) Turn off eSATA then connect it to NVR.
 - 3) Turn on eSATA.
 - 4) Turn on NVR.

Connecting input/out terminals

Wire end handling

See below for wire end handling used in terminal block. Please work on single line and multiple line as they have different thicknesses.

- Multiple lines: Peel off the recommended length (8~10mm) and lead-coat it. Use AWG 22 ~ 26.
- Single line: Peel off the recommended length (8~10mm) and use AWG 20 ~ 26.

Connecting the sensor

Specification

Below requirements need to be met in order to connect the sensor to ALARM IN port.

Specifications	Number of input channels	Refer the specification of the model.
	Input Type	N.C, N.O support
	Supported sensor	Dry contact sensor
	Connection method	Connect the trimmed wire to terminal block

Connecting relay

Specifications

Please see the below table for alarm output requirements.

Specifications	Number of output Ch.	Refer the specification of the model.
	Output type	Dry Contact
	Connection method	Connect the trimmed wire to terminal block

Connecting USB TO SERIAL

Connecting Text Input Devices (ATM / POS / Access Control)

By connecting the USB TO SERIAL cable to USB port of NVR, it is possible to record text data which is input from external device such as POS/ATM through USB TO SERIAL cable with video.



Please set the serial configuration and text information at [Device] menu for RS232 (D-Sub 9pin) connection.

<Note>

Currently, the model name "NEXT-RS232 4P" is available for USB TO SERIAL cable.

Connecting RS485 K/B serial port to external device *

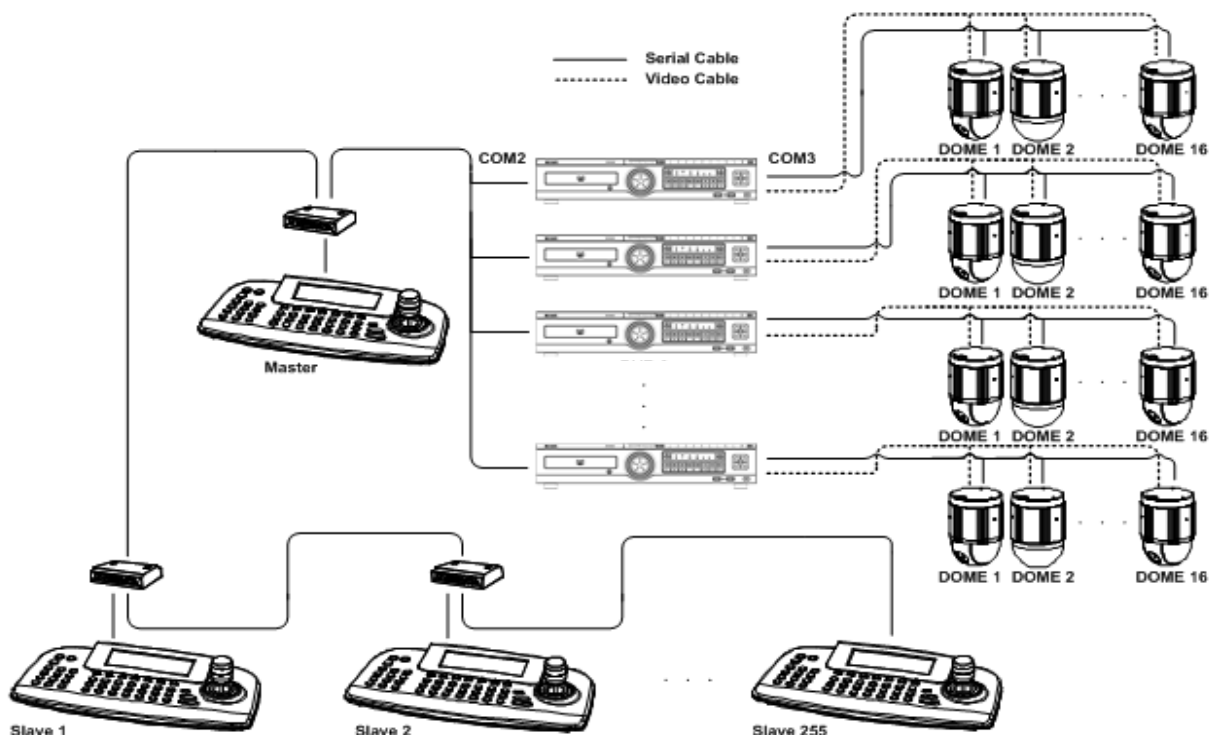
Keyboard device can control all functions of NVR and IP PTZ camera connected to NVR when Keyboard device is connected to RS485 K/B serial port of NVR. Also, multiple keyboards connected in parallel can be used. Keyboard can select NVR's ID and can control specific NVR among parallel connected NVRs.

Please refer the manual of PTZ and keyboard for more detail.

* Adopted differently based on product specification

Connecting PTZ & Keyboard

NVR can be connected using keyboard and PTZ control is possible for all channels connected to NVR. Also, multiple keyboards extension as Slave can be used limitless with Master Keyboard. In the case, Master Keyboard has priority for all controls. Please refer the instruction manual for PTZ keyboard connection & its way of control which comes with PTZ/ Keyboard.



Configuration using 2 serial ports

PTZ and Keyboard can be connected to NVR's 2 serial ports. In such case, keyboard can control NVR and PTZ at the same time, and NVR can control PTZ devices.

The upper diagram represents configuration of multi NVRs with PTZ. To control PTZ using keyboard, please select NVR ID then select camera for control.

control device	connection device
Keyboard (Master/Slave)	All NVRs can be controlled, all PTZ can be controlled
NVR	PTZ directly connected to NVR can be controlled

Configuration using 1 serial ports

When using 1 serial port, user can connect both of PTZ and Keyboard to a port, and user can select a PTZ through the keyboard. According to NVR's COM port setting, connected controllable device can be selected, and by choosing a NVR ID, keyboard can control several NVRs.

In case PTZ is setup on NVR COM port, user can use it as follows.

Control device	Connection device
Keyboard (Master/Slave)	All NVRs can't be controlled/ All PTZ can be controlled
NVR	Only PTZ directly connected to NVR can be controlled

In case Keyboard is setup on NVR COM port user can use it as follows

Control device	Connection device
Keyboard (Master/Slave)	All NVRs can be controlled, All PTZ can be controlled
NVR	All PTZ can't be controlled

Appendix

Problem solving [FAQ]

problem & symptom	solution
If system power isn't on, LED on the system front won't operate	<ul style="list-style-type: none">✓ Check the power of system✓ Check power voltage in out✓ Check or replace power supply if power doesn't turn on after above procedure
No video on some channels with black screen	<ul style="list-style-type: none">✓ Check the camera connected with relevant channel. Occasionally, the symptom may occur if camera video doesn't input correctly.✓ Check if power is supplied to camera correctly.✓ Occasionally, the symptom may occur with weak video signal from video distributor when the video is connected with variable systems. In this case, the symptom can be figured out/ solved connecting the camera directly to NVR.
Only logo screen shows repeatedly	<ul style="list-style-type: none">✓ Do auto upgrade using front USB port.<ol style="list-style-type: none">1. USB memory with FAT32 format is required.2. Copy NVR's Firmware file (*.dat) to USB memory.3. Insert that USB memory to NVR's front USB port.4. Turn OFF and ON the NVR's power.5. During booting, progress bar will be displayed on monitor and NVR will be automatically rebooted.✓ If auto upgrade is failed, main board may have a problem or SW is damaged. Please contact CS for a further check.
Cursor doesn't move in Calendar Search.	<ul style="list-style-type: none">✓ Check if marked at channel and date you want playback✓ Both channel and date should be checked to start playback.
"HDD FAIL" icon and error message pops up.	<ul style="list-style-type: none">✓ Please check HDD connection status. Please contact local dealer if this message continues to pop up even if there is no problem in connection.
There is no added information of HDD after installing additional HDD.	<ul style="list-style-type: none">✓ Please check if additional HDD is compatible with NVR. To know more about compatibility, please contact CS team of manufacturer.
Network setup using router is difficult.	<ul style="list-style-type: none">✓ Please refer to product manual for details✓ Please refer to UPnP section under "Network connection and setup" if a user is using router for network connection.
Lost password.	<ul style="list-style-type: none">✓ Please contact CS team of manufacturer.
Copied data is not played in the PC.	<ul style="list-style-type: none">✓ Please don't remove media during copy or don't turn off NVR.✓ Please install multi codec for playback data copied in avi format.
Recording is not working.	<ul style="list-style-type: none">✓ Please check if camera input is well connected✓ Please check record mode.✓ Please check HDD is ready for record.
Recorded picture quality is not good.	<ul style="list-style-type: none">✓ Please set picture quality as higher quality on webpage of IP camera.

Compatible HDD

For compatible HDD information, please refer to technical supports of manufacturer.

For NVR model using DC 12V adapter: In case of using HDD with power consumption over 6W, it is highly recommended to use optional adaptor with higher current (DC 12V 5A).

In case of 4ch PoE NVR and 8ch PoE NVR, we recommend using up to 3TB for Seagate Skyhawk HDD and upto 6TB for WD Purple HDD.

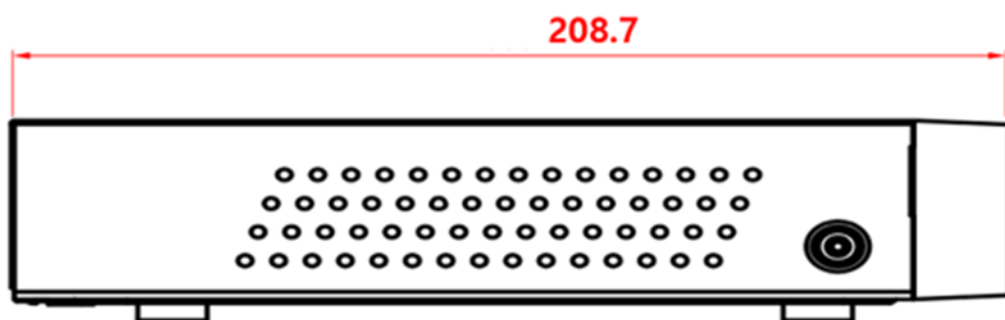
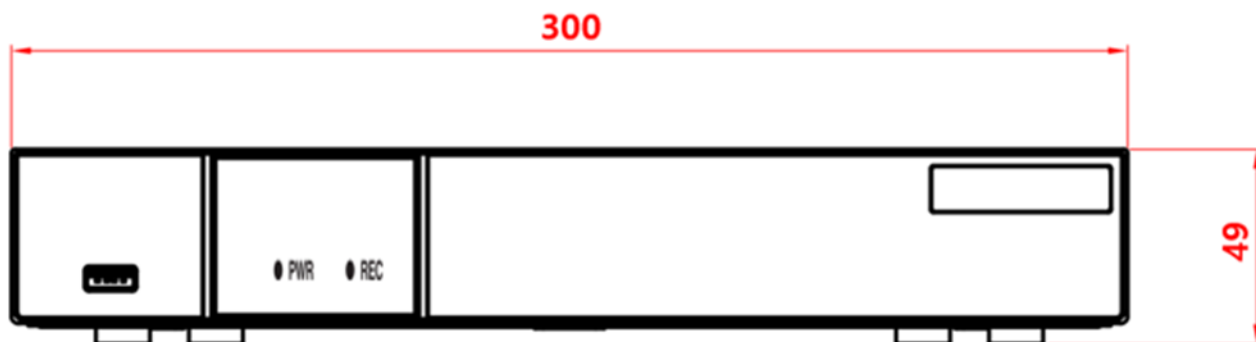
Factory default set-up values

System				
Date/time	Time		Current time	
	Time zone		UTC +09:00 Seoul	
	Daylight Saving Time (DST)		Off	
	Date Format		Month/Day/Year	
	Sync with NTP		Off	
Disk	Overwrite		On	
	Block Playback		Off / 5Day	
User Setup	User		admin	
	Password		12345	
	Additional User Setup	Auto Login		On / admin
		Auto Log-Out		Off / 1 Min
Auto Lock			Off / 1 Min	
Utility	NVR Alias		NVR0	
	Language		Previous setting (Manually set when shipment)	
	Key Buzzer		On	
	NVR Keyboard ID		1	
	NTSC/PAL		Previous setting (Manually set when shipment)	
	Setup Wizard		Previous setting (initial setting : on)	
Network (Previous setting is not changed when Factory Reset)				
Network	Type		Ethernet	
	Automatic Addressing (DHCP)		Off	
	IP Address 1		192.168.0.5	
	Net Mask 1		255.255.255.0	
	Gateway		192.168.0.1	
	UPnP Port Forwarding		On	
	DNS 1/2/3		4.2.2.1 / 0.0.0.0 / 0.0.0.0	
	Port		80	
	Bandwidth Limit (Mbps)		unlimited	
	Video Streaming (RTSP)		Port 554 / Auth On	
	IP Filtering		Off	
	Service Streaming		Remote DVR	
	DDNS		inactivate	
WRS		Inactivate		
Radius		inactivate		
Device				
Camera	Status		On	
	Name		Cam 1 ~ 64	
PTZ	Port		Inactivate	
	Device		Inactivate	
	Address		Inactivate	
	Baudrate		Inactivate	

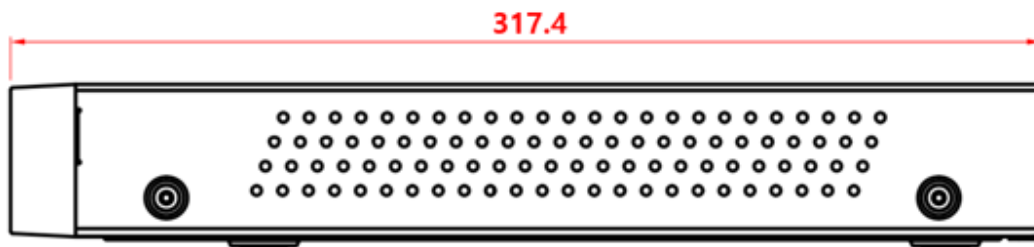
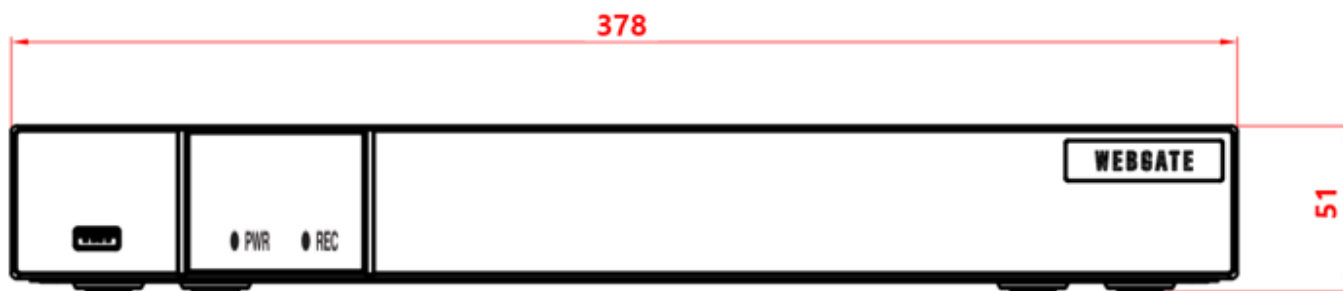
	Keyboard	Port	None		
Monitor	Edit Auto Sequence (SEQ)	Channel	Cam 1~64		
		SEQ Rotation	1~64		
	Sequence Interval		5 (Sec)		
	Restore after Event popup		Off		
	Resolution	HDMI resolution	1920x1080		
		VGA resolution	1920x1080		
Event					
Event	Activate Event Check		On		
	Schedule		Always Check		
	Event Actions	Buzzer		Off	
		Email		Off	
		FTP		Off	
		Video Popup		Off	
		System Alarm		Always on event	
			System		HDD Fail Password Fail
			Others		Inactivate
		Camera Preset		Off	
	Alarm Push		Enable		
		System		HDD Fail	
	E-mail Setup	Recipient Address 1		receiver@gmail.com	
		Recipient Address 2			
		Recipient Address 3			
		Sender Address		dvr1@dvr.com	
		Subject		Event Notification	
		Attach Picture		Off	
		SMTP Server Address		SMTP_SERVER	
		SMTP Server ID		Email_id	
		SMTP Server Password		xxxxxxx	
		SMTP Server Port		25	
		SMTP Server Authentication		Not Use	
FTP Setup		Server IP/URL		FTP_SERVER	
	FTP Directory		/		
	User Account ID		ftp_user		
	User Account Password		xxxxxxx		
Motion	Video Channel		All channel		
	Activate Motion Detection		On		
Record					
Record	Record Mode		Normal/Event Record		
	Program		A (Normal/Event max fps for all channel)		
	Emergency Record		On		
	Pre Event Duration		5 seconds		
	Post Event Duration		5 seconds		

Product Dimension

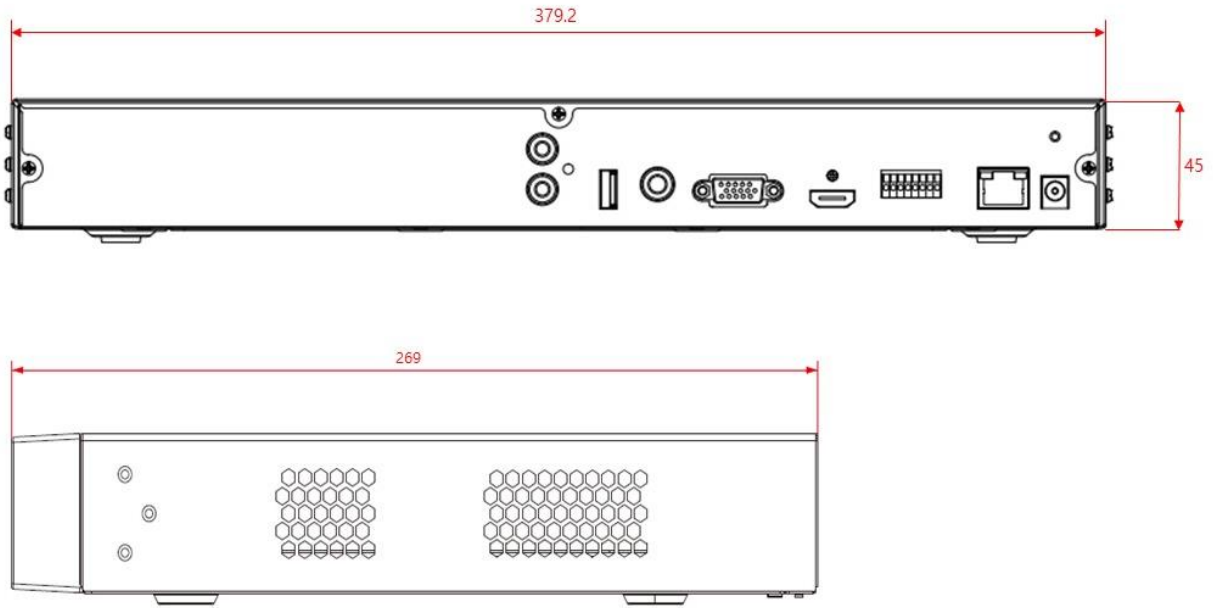
4 CHANNEL PoE NVR (V3) / 8 CHANNEL PoE NVR (V3)



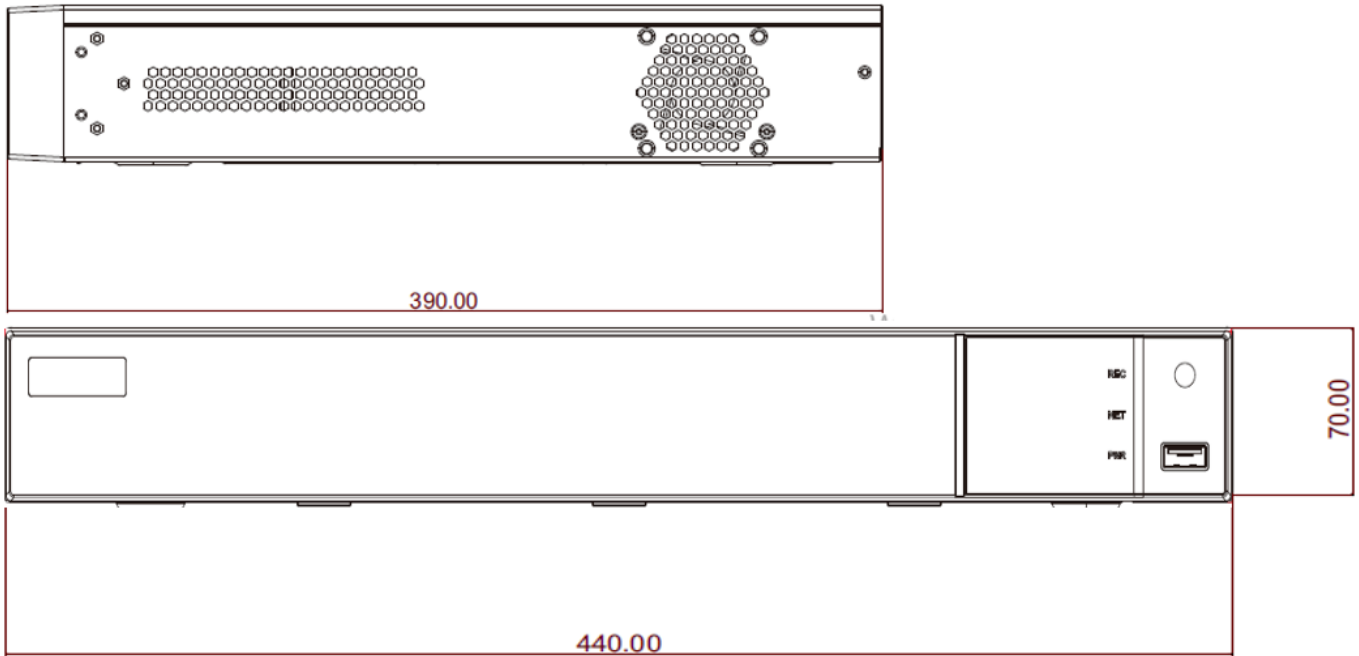
16 CHANNEL PoE NVR (V3)



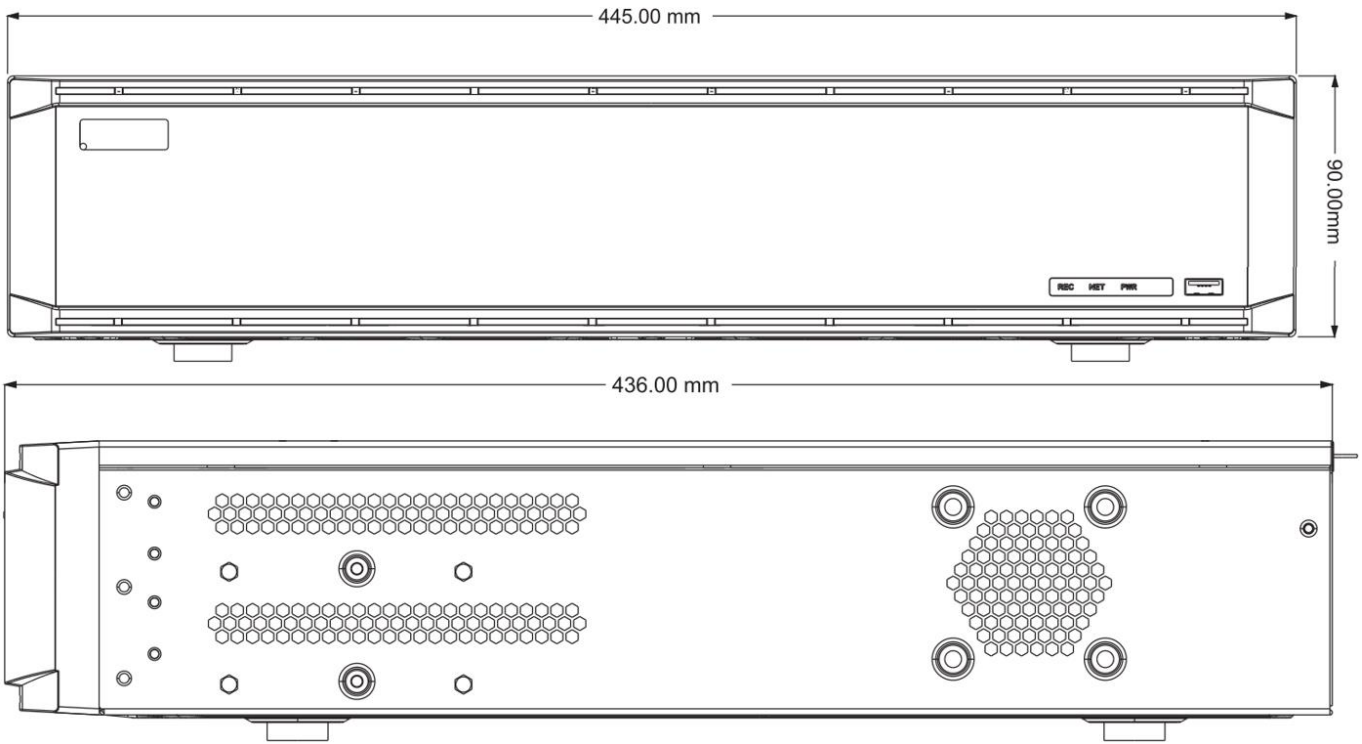
16 CHANNEL NVR (V2)



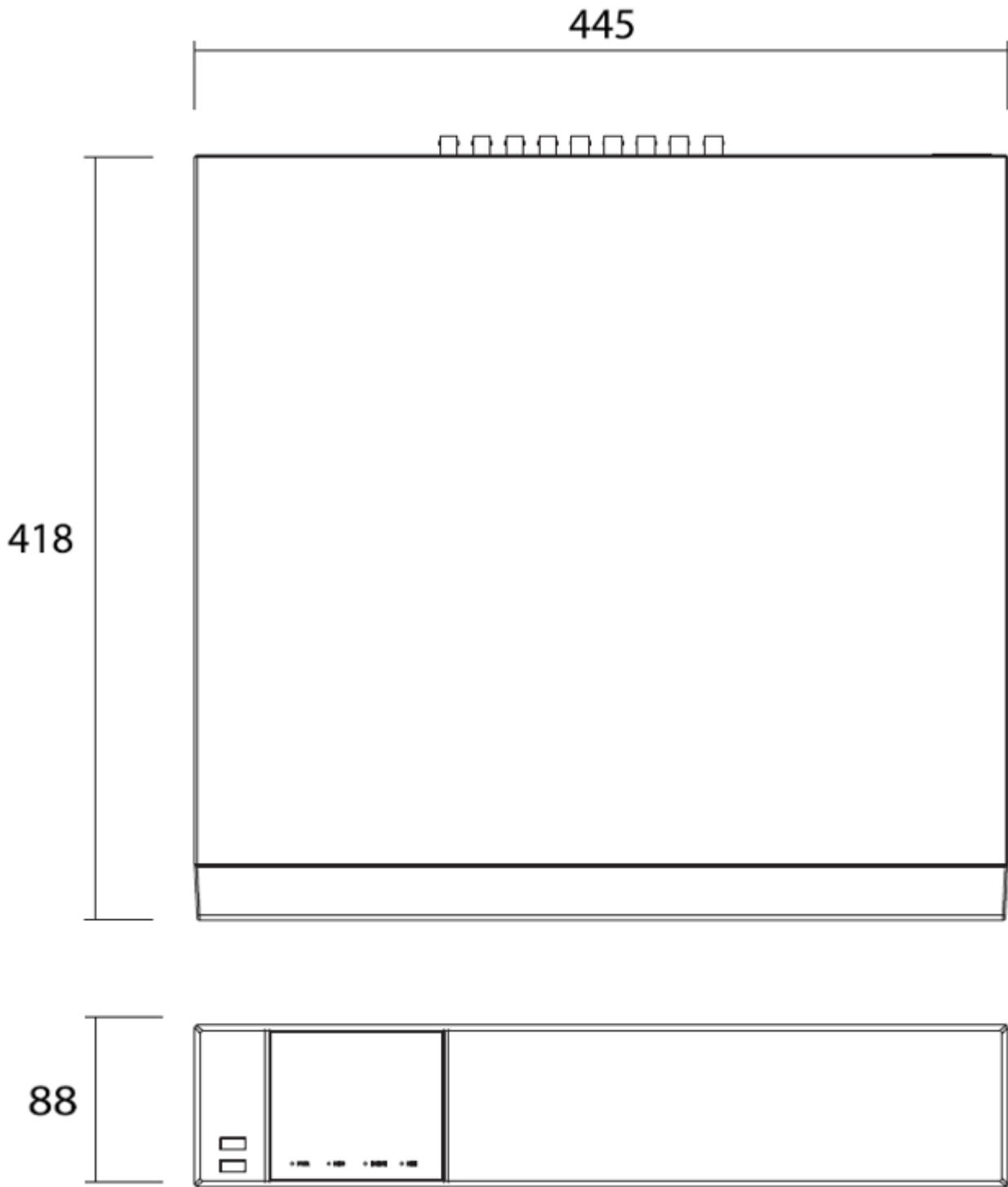
36 CHANNEL NVR



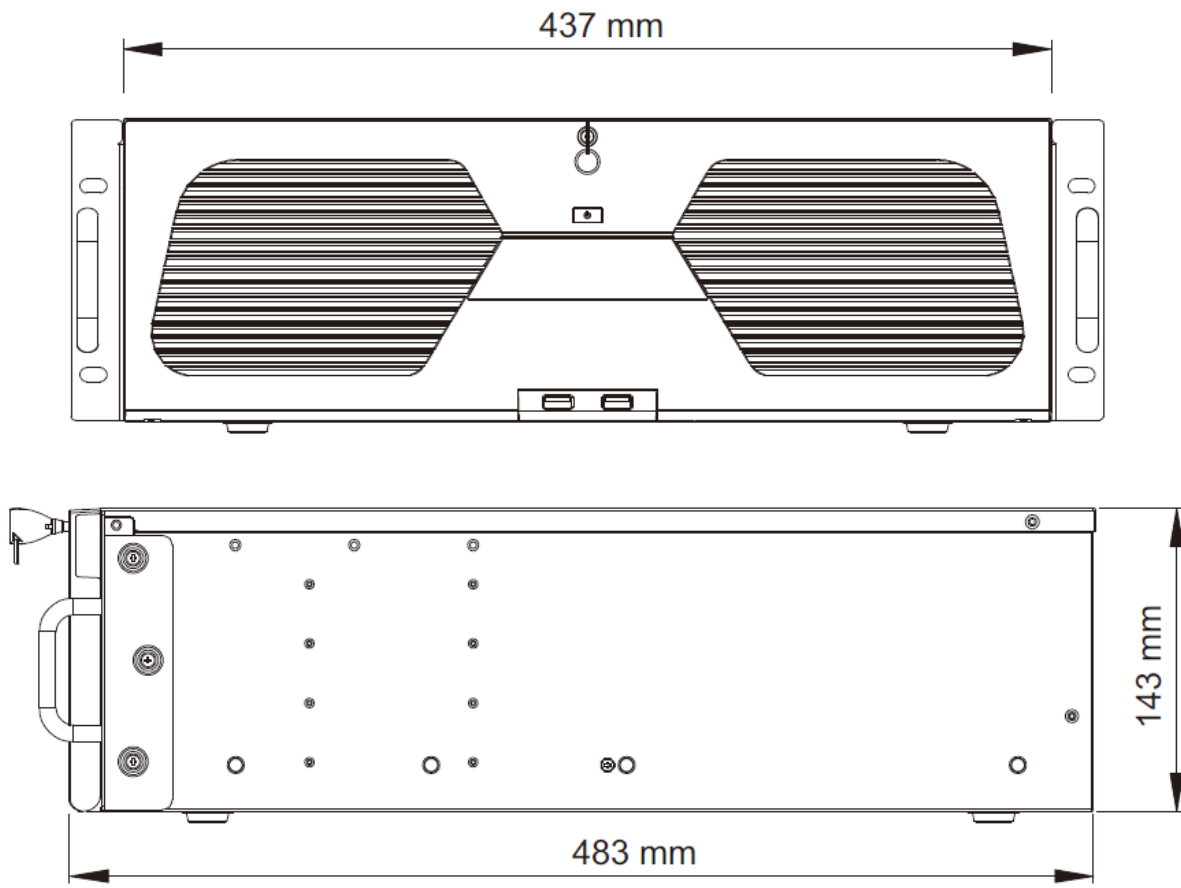
16 CHANNEL FULL SIZE NVR / 36 CHANNEL FULL SIZE NVR / 64 CHANNEL FULL SIZE NVR



16 CHANNEL RAID NVR / 36 CHANNEL RAID NVR / 64 CHANNEL RAID NVR



64 CHANNEL HOT SWAP NVR



Open Source License Report on the Product

The software included in this product contains copyrighted software that is licensed under the GPL/LGPL. You may obtain the complete Corresponding Source code from us for a period of three years after our last shipment of this product by sending email to <mycvtv@gmail.com>.

If you want to obtain the complete Corresponding Source code in the physical medium such as CD-ROM, the cost of physically performing source distribution might be charged.

GPL Software : busybox, boa, CyaSSL, dosfstools, linux kernel, rp-pppoe, cdrtools, dvd+rw-tools, dhcpcd, iproute2, smartmontools

LGPL/GPL with exceptions : glibc, libgcc, libstdc++ , FFmpeg, ftplib

Apache License : WenQuanYi Micro Fiel

Copyright (c) 2007, Google Corp., Copyright (c) 2008,2009 WenQuanYi Board of Trustees and Qianqian Fang

Apache License : Apache Commons

http://commons.apache.org

BSD License : ash, minipnpic, telnet-server, YUI Library, ppp

FreeType License : freetype2

Portions of this software included in this product are copyright (C) 2010 The FreeType Project (www.freetype.org). All rights reserved.

UJ License : JPEG

The software included in this product is based in part on the work of the Independent JPEG Group.

MIT License : c-ares, curl, libaouth, jcodec

OpenSSL License : OpenSSL

SIL Open Font License : simio

Copyright (c) 2010 Google Corporation.

This Font Software is licensed under the SIL Open Font License, Version 1.1.

This license is copied in this manual, and is also available with a FAQ at: <http://scripts.sil.org/OFL>

GNU GENERAL PUBLIC LICENSE

Version 2, June 1991

Copyright (C) 1991 Free Software Foundation, Inc.

51 Franklin Street, Fifth Floor, Boston, MA 02110-1301, USA

Everyone is permitted to copy and distribute verbatim copies of this license document, but changing it is not allowed.

Preamble

The licenses for most software are designed to take away your freedom to share and change it. By contrast, the GNU General Public License is intended to guarantee your freedom to share and change free software—to make sure the software is free for all its users. This General Public License applies to most of the Free Software Foundation's software and to any other program whose authors commit to using it. (Some other Free Software Foundation software is covered by the GNU Lesser General Public License instead.) You can apply it to your programs, too.

When we speak of free software, we are referring to freedom, not price. Our General Public Licenses are designed to make sure that you have the freedom to distribute copies of free software (and charge for this service if you wish), that you receive source code or can get it if you want it, that you can change the software or use pieces of it in new free programs; and that you know you can do these things.

To protect your rights, we need to make restrictions that forbid anyone to deny you these rights or to ask you to surrender the rights. These restrictions translate to certain responsibilities for you if you distribute copies of the software, or if you modify it.

For example, if you distribute copies of such a program, whether gratis or for a fee, you must give the recipients all the rights that you have. You must make sure that they, too, receive or can get the source code. And you must show them these terms so they know their rights.

We protect your rights with two steps: (1) copyright the software, and (2) offer you this license which gives you legal permission to copy, distribute and/or modify the software.

Also, for each author's protection and ours, we want to make certain that everyone understands that there is no warranty for this free software. If the software is modified by someone else and passed on, we want its recipients to know that what they have is not the original, so that any problems introduced by others will not reflect on the original authors' reputations.

Finally, any free program is threatened constantly by software patents. We wish to avoid the danger that redistributors of a free program will individually obtain patent licenses, in effect making the program proprietary. To prevent this, we have made it clear that any patent must be licensed for everyone's free use or not licensed at all.

The precise terms and conditions for copying, distribution and modification follow.

TERMS AND CONDITIONS FOR COPYING, DISTRIBUTION AND MODIFICATION

0. This License applies to any program or other work which contains a notice placed by the copyright holder saying it may be distributed under the terms of this General Public License. The "Program", below, refers to any such program or work, and a "work based on the Program" means either the Program or any derivative work under copyright notice that is based on the Program or a portion of it, either verbatim or with modifications and/or translated into another language. (Hereinafter, translation is included without limitation in the term "modification.") Each licensee is addressed as "you".

Activities other than copying, distribution and modification are not covered by this License; they are outside its scope. The act of running the Program is not restricted, and the output from the Program is covered only if its contents constitute a work based on the Program (independent of having been made by running the Program). Whether that is true depends on what the Program does.

1. You may copy and distribute verbatim copies of the Program's source code as you receive it, in any medium, provided that you conspicuously and appropriately publish on each copy an appropriate copyright notice and disclaimer of warranty; keep intact all the notices that refer to this License and to the absence of any warranty; and give any other recipients of the Program a copy of this License along with the Program.

You may charge a fee for the physical act of transferring a copy, and you may at your option offer warranty protection in exchange for a fee.

2. You may modify your copy or copies of the Program or any portion of it, thus forming a work based on the Program, and copy and distribute such modifications or work under the terms of Section 1 above, provided that you also meet all of these conditions:

a) You must cause the modified files to carry prominent notices stating that you changed the files and the date of any change.

b) You must cause any work that you distribute or publish, that in whole or in part contains or is derived from the Program or any part thereof, to be licensed as a whole to no charge to all third parties under the terms of this License.

c) If the modified program normally reads commands interactively when run, you must cause it, when started running for such interactive use in the most ordinary way, to print or display an announcement including an appropriate copyright notice and a notice that there is no warranty (or else, saying that you provide a warranty) and that users may redistribute the program under these conditions, and telling the user how to view a copy of this License. (Exception: if the program itself is interactive but does not normally print such an announcement, your work based on the Program is not required to print an announcement.)

These requirements apply to the modified work as a whole. If identifiable sections of that work are not derived from the Program, and can be reasonably considered independent and separate works in themselves, then this License, and its terms, do not apply to those sections when you distribute them as separate works. But when you distribute the same sections as part of a whole which is a work based on the Program, the distribution of the whole must be on the terms of this License, whose permissions for other licensees extend to the entire whole, and thus to each and every part regardless of who wrote it. Thus, it is not the intent of this section to claim rights or contest your rights to work written entirely by you; rather, the intent is to exercise the right to control the distribution of derivative or collective works based on the Program.

In addition, mere aggregation of another work not based on the Program with the Program (or with a work based on the Program) on a volume of a storage or distribution medium does not bring the other work under the scope of this License.

3. You may copy and distribute the Program (or a work based on it, under Section 2) in object code or executable form under the terms of Sections 1 and 2 above provided that you also do one of the following:

a) Accompany it with the complete corresponding machine-readable source code, which must be distributed under the terms of Sections 1 and 2 above on a medium customarily used for software interchange; or

b) Accompany it with a written offer, valid for at least three years, to give any third party, for a charge no more than your cost of physically performing source distribution, a complete machine-readable copy of the corresponding source code, to be distributed under the terms of Sections 1 and 2 above on a medium customarily used for software interchange; or

c) Accompany it with the information you received as to the offer to distribute corresponding source code. (This alternative is allowed only for noncommercial distribution and only if you received the program in object code or executable form with such an offer, in accord with Subsection b) above.)

The source code for a work means the preferred form of the work for making modifications to it. For an executable work, complete source code means all the source code for all modules it contains, plus any associated interface definition files, plus the scripts used to control compilation and installation of the executable. However, as a special exception, the source code distributed need not include anything that is normally distributed (in either source or binary form) with the major components (compiler, kernel, and so on) of the operating system on which the executable runs, unless that component itself accompanies the executable.

If distribution of executable or object code is made by offering access to copy from a designated place, then offering equivalent access to copy the source code from the same place counts as distribution of the source code, even though third parties are not compelled to copy the source along with the object code.

4. You may not copy, modify, sublicense, or distribute the Program except as expressly provided under this License. Any attempt otherwise to copy, modify, sublicense or distribute the Program is void, and will automatically terminate your rights under this License. However, parties who have received copies, or rights, from you under this License will not have their licenses terminated so long as such parties remain in full compliance.

5. You are not required to accept this License, since you have not signed it. However, nothing else grants you permission to modify or distribute the Program or its derivative works. These actions are prohibited by law if you do not accept this License. Therefore, by modifying or distributing the Program (or any work based on the Program), you indicate your acceptance of this license to do so, and all its terms and conditions for copying, distributing or modifying the Program or works based on it.

6. Each time you redistribute the Program (or any work based on the Program), the recipient automatically receives a license from the original licensor to copy, distribute or modify the Program subject to these terms and conditions. You may not impose any further restrictions on the recipients' exercise of the rights granted herein. You are not responsible for enforcing compliance by third parties to this License.

7. If, as a consequence of a court judgment or allegation of patent infringement or for any other reason (not limited to patent issues), conditions are imposed on you (whether by court order, agreement or otherwise) that contradict the conditions of this License, they do not excuse you from the conditions of this License. If you cannot distribute so as to satisfy simultaneously your obligations under this License and any other pertinent obligations, then as a consequence you may not distribute the Program at all. For example, if a patent license would not permit royalty-free redistribution of the Program by all those who receive copies directly or indirectly through you, then the only way you could satisfy both it and this License would be to refrain entirely from distribution of the Program.

If any portion of this section is held invalid or unenforceable under any particular circumstance, the balance of the section is intended to apply and the section as a whole is intended to apply in other circumstances.

It is not the purpose of this section to induce you to infringe any patents or other property right claims or to contest validity of any such claims; this section has the sole purpose of protecting the integrity of the free software distribution system, which is implemented by public license practices. Many people have made generous contributions to the wide range of software distributed through that system in reliance on consistent application of that system; it is up to the author/donor to decide if he or she is willing to distribute software through any other system and a licensee cannot impose that choice.

This section is intended to make thoroughly clear what is believed to be a consequence of the rest of this License.

8. If the distribution and/or use of the Program is restricted in certain countries either by patents or by copyrighted interfaces, the original copyright holder who places the Program under this License may add an explicit geographical distribution limitation excluding those countries, so that distribution is permitted only in or among countries not thus excluded. In such case, this License incorporates the limitation as if written in the body of this License.

9. The Free Software Foundation may publish revised and/or new versions of the General Public License from time to time. Such new versions will be similar in spirit to the present version, but may differ in detail to address new problems or concerns.

Each version is given a distinguishing version number. If the Program specifies a version number of this License which applies to it and "any later version", you have the option of following the terms and conditions either of that version or of any later version published by the Free Software Foundation. If the Program does not specify a version number of this License, you may choose any version ever published by the Free Software Foundation.

10. If you wish to incorporate parts of the Program into other free programs whose distribution conditions are different, write to the author to ask for permission. For software which is copyrighted by the Free Software Foundation, write to the Free Software Foundation; we sometimes make exceptions for this. Our decision will be guided by the two goals of preserving the free status of all derivatives of our free software and of promoting the sharing and reuse of software generally.

NO WARRANTY

BECAUSE THE PROGRAM IS LICENSED FREE OF CHARGE, THERE IS NO WARRANTY FOR THE PROGRAM, TO THE EXTENT PERMITTED BY APPLICABLE LAW. EXCEPT WHEN OTHERWISE STATED IN WRITING THE COPYRIGHT HOLDERS AND/OR OTHER PARTIES PROVIDE THE PROGRAM "AS IS" WITHOUT WARRANTY OF ANY KIND, EITHER EXPRESSED OR IMPLIED, INCLUDING, BUT NOT LIMITED TO, THE IMPLIED WARRANTIES OF MERCHANTABILITY AND FITNESS FOR A PARTICULAR PURPOSE. THE ENTIRE RISK AS TO THE QUALITY AND PERFORMANCE OF THE PROGRAM IS WITH YOU. SHOULD THE PROGRAM PROVE DEFECTIVE, YOU ASSUME THE COST OF ALL NECESSARY SERVICING, REPAIR OR CORRECTION.

IN NO EVENT UNLESS REQUIRED BY APPLICABLE LAW OR AGREED TO IN WRITING WILL ANY COPYRIGHT HOLDER, OR ANY OTHER PARTY WHO MAY MODIFY AND/OR REDISTRIBUTE THE PROGRAM AS PERMITTED ABOVE, BE LIABLE TO YOU FOR DAMAGES, INCLUDING ANY GENERAL, SPECIAL, INCIDENTAL OR CONSEQUENTIAL DAMAGES ARISING OUT OF THE USE OR INABILITY TO USE THE PROGRAM (INCLUDING BUT NOT LIMITED TO LOSS OF DATA OR DATA BEING RENDERED INACCURATE OR LOSSES SUSTAINED BY YOU OR THIRD PARTIES OR A FAILURE OF THE PROGRAM TO OPERATE WITH ANY OTHER PROGRAMS), EVEN IF SUCH HOLDER OR OTHER PARTY HAS BEEN ADVISED OF THE POSSIBILITY OF SUCH DAMAGES.

END OF TERMS AND CONDITIONS

How to Apply These Terms to Your New Programs

If you develop a new program, and you want it to be of the greatest possible use to the public, the best way to achieve this is to make it free software which everyone can redistribute and change under these terms.

To do so, attach the following notices to the program. It is safest to attach them to the start of each source file to most effectively convey the exclusion of warranty; and each file should have at least the "copyright" line and a pointer to where the full notice is found.

one line to give the program's name and an idea of what it does.

Copyright (C) yyyy name of author

This program is free software; you can redistribute it and/or modify it under the terms of the GNU General Public License as published by the Free Software Foundation; either version 2 of the License, or (at your option) any later version.

This program is distributed in the hope that it will be useful, but WITHOUT ANY WARRANTY; without even the implied warranty of MERCHANTABILITY or FITNESS FOR A PARTICULAR PURPOSE. See the GNU General Public License for more details.

You should have received a copy of the GNU General Public License along with this program; if not, write to the Free Software Foundation, Inc., 51 Franklin Street, Fifth Floor, Boston, MA 02110-1301, USA.

Also add information on how to contact you by electronic and paper mail.

If the program is interactive, make it output a short notice like this when it starts in an interactive mode:

Gnomovision version 69, Copyright (C) year name of author

Gnomovision comes with ABSOLUTELY NO WARRANTY; for details type 'show w'. This is free software, and you are welcome to redistribute it under certain conditions; type 'show c' for details.

The hypothetical commands 'show w' and 'show c' should show the appropriate parts of the General Public License. Of course, the commands you use may be called something other than 'show w' and 'show c'; they could even be mouse-clicks or menu items—whatever suits your program.

You should also get your employer (if you work as a programmer) or your school, if any, to sign a "copyright disclaimer" for the program, if necessary. Here is a sample; alter the names:

Yoodyne, Inc., hereby disclaims all copyright interest in the program Gnomovision (which makes passes at compilers) written by James Hacker.

Ty Coon, President of Yoodyne, Inc. 1 April 1989

Ty Coon, President of Yoodyne, Inc.

This General Public License does not permit incorporating your program into proprietary programs. If your program is a sub-library, you may consider it useful to permit linking proprietary applications with the library. If this is what you want to do, use the GNU Lesser General Public License instead of this License.

GNU GENERAL PUBLIC LICENSE

Version 3, 29 June 2007

Copyright (C) 2007 Free Software Foundation, Inc. <<http://fsf.org/>>

Everyone is permitted to copy and distribute verbatim copies of this license document, but changing it is not allowed.

Preamble

The GNU General Public License is a free, copyleft license for software and other kinds of works. The licenses for most software and other practical works are designed to take away your freedom to share and change the works. By contrast, the GNU General Public License is intended to guarantee your freedom to share and change the works, to make sure the software remains free software for all its users. We, the Free Software Foundation, use the GNU General Public License for most of our software; it applies also to any other work released this way by its authors. You can apply it to your programs, too. When we speak of free software, we are referring to freedom, not price. Our General Public Licenses are designed to make sure that you have the freedom to distribute copies of free software (and charge for them if you wish), that you receive source code or can get it if you want it, that you can change the software or use pieces of it in new free programs; and that you know you can do these things.

To protect your rights, we need to prevent others from denying you these rights or asking you to surrender the rights. Therefore, you have certain responsibilities if you distribute copies of the software, or if you modify it: responsibilities to respect the freedom of others.

For example, if you distribute copies of such a program, whether gratis or for a fee, you must pass on to the recipients the same freedoms that you received. You must make sure that they, too, receive or can get the source code. And you must show them these terms so they know their rights.

Developers that use the GNU GPL protect your rights with two steps: (1) assert copyright on the software, and (2) offer you this license giving you legal permission to copy, distribute and/or modify it. For the developers' and authors' sake, the GPL clearly explains that there is no warranty for this free software. For both users' and authors' sake, the GPL requires that modified versions be marked as changed, so that their problems will not be attributed erroneously to authors of previous versions.

Some decisions that are designed to deny users access to install or run modified versions of the software inside them, although the manufacturer can do so. This is fundamentally incompatible with the aim of protecting users' freedom to change the software. The systematic pattern of such abuse occurs in the area of products for individuals to use, which is precisely where it is most unacceptable. Therefore, we have designed this version of the GPL to prohibit the practice for those products. If such problems arise substantially in other domains, we stand ready to extend this provision to those domains in future versions of the GPL, as needed to protect the freedom of users.

Finally, every program is threatened constantly by software patents. States should not allow patents to restrict development and use of software on general-purpose computers, but in those that do, we wish to avoid the special danger that patents applied to a free program could make it effectively proprietary. To prevent this, the GPL assures that patents cannot be used to render the program non-free.

The precise terms and conditions for copying, distribution and modification follow.

TERMS AND CONDITIONS

0. Definitions.

"This License" refers to version 3 of the GNU General Public License.

"Copyright" also means copyright-like laws that apply to other kinds of works, such as semiconductor masks.

"The Program" refers to any copyrightable work licensed under this License. Each licensee is addressed as "you". "Licensees" and "recipients" may be individuals or organizations.

To "modify" a work means to copy from or adapt all or part of the work in a fashion requiring copyright permission, other than the making of an exact copy. The resulting work is called a "modified version" of the earlier work or a work "based on" the earlier work.

A "covered work" means either the unmodified Program or a work based on the Program. To "propagate" a work means to do anything with it that, without permission, would make you directly or secondarily liable for infringement under applicable copyright law, except executing it on a computer or modifying a private copy. Propagation includes copying, distribution (with or without modification), making available to the public in any way, and performance, exhibition, or other activities as well. To "convey" a work means any kind of propagation that enables other parties to make or receive copies. Mere interaction with a user through a computer network, with no transfer of a copy, is not conveying. An interactive user interface displays "Appropriate Legal Notices" to the extent that it includes a convenient and prominently visible feature that (1) displays an appropriate copyright notice, and (2) tells the user that there is no warranty for the work (except to the extent that warranties are provided), that licensees may convey the work under this License, and how to view a copy of this License. If the interface presents a list of user commands or options, such as a menu, a prominent item in the list meets this criterion.

1. Source Code. The "source code" for a work means the preferred form of the work for making modifications to it. "Object code" means any non-source form of a work. A "Standard Interface" means an interface that either is an official standard defined by a recognized standards body, or, in the case of interfaces specified for a particular programming language, one that is widely used among developers working in that language. The "System Libraries" of an executable work include anything, other than the work as a whole, that (a) is included in the normal form of packaging a Major Component, but which is not part of that Major Component, and (b) serves only to enable use of the work with that Major Component, or to implement a Standard Interface for which an implementation is available to the public in source code form. A "Major Component", in this context, means a major essential component (kernel, window system, and so on) of the specific operating system (if any) on which the executable work runs, or a compiler used to produce the work, or an object code interpreter used to run it.

The "Corresponding Source" for a work in object code form means all the source code needed to generate, install, and execute the object code and to modify the object code, including scripts to control those activities. However, it does not include the work's System Libraries, or general-purpose tools or generally available free programs which are used unmodified in performing those activities but which are not part of the work. For example, Corresponding Source includes interface definition files associated with source files for the work, and the source code for shared libraries and dynamically linked subprograms that the work is specifically designed to require, such as by intimate data communication or control flow between those subprograms and other parts of the work. The Corresponding Source need not include anything that users can regenerate automatically from other parts of the Corresponding Source. The Corresponding Source for a work in source code form is that same work.

2. Basic Permissions. All rights granted under this License are granted for the term of copyright on the Program, and are irrevocable and exclusive to the licensee. Licensees may, at their option, copy and distribute the Program in source code form, provided that they also copy and distribute the Corresponding Source in source code form. The output from running a covered work is covered by this License only if the output, given its content, constitutes a covered work. This License acknowledges your rights of fair use or other equivalent, as provided by copyright law. You may make, run and propagate covered works that you do not convey, without conditions so long as your license otherwise remains in force. You may convey covered works to others for the sole purpose of having them make modifications exclusively for you, or provide you with facilities for running those works, provided that you comply with the terms of this License in conveying all material for which you do not control copyright. Those thus making or running the covered works for you must do so exclusively on your behalf, under your direction and control, on terms that prohibit them from making any copies of your copyrighted material outside their relationship with you.

Conveying under any other circumstances is permitted solely under the conditions stated below. Sublicensing is not allowed; section 10 makes it unnecessary. 3. Protecting Users' Legal Rights From Anti-Circumvention Law. No covered work shall be deemed part of an effective technological measure under any applicable law fulfilling obligations under article 11 of the WIPO copyright treaty adopted on 20 December 1996, or similar laws prohibiting or restricting circumvention of such measures. When you convey a covered work, you waive any legal power to forbid circumvention of technological measures to the extent such circumvention is effected by exercising rights under this License with respect to the covered work, and you disclaim any intention to limit operation or modification of the work as a means of enforcing, against the work's users, your or third parties' legal rights to forbid circumvention of technological measures.

4. Conveying Verbatim Copies. You may convey verbatim copies of the Program's source code as you receive it, in any medium, provided that you copy and distribute the Corresponding Source in the same medium and under the same terms. You must keep intact all notices stating that this License and any non-permissive terms added in accord with section 7 apply to the code; keep intact all notices of the absence of any warranty; and give all recipients a copy of this License along with the Program. You may charge any price or no price for each copy that you convey, and you may offer support or warranty protection for a fee.

5. Conveying Modified Versions. You may convey a work based on the Program, or the modifications to produce it from the Program, in the form of source code under the terms of section 4, provided that you also meet all of these conditions: a) The work must carry prominent notices stating that you modified it, and giving a relevant date. b) The work must carry prominent notices stating that it is released under this License and any conditions added under section 7. This requirement modifies the requirement in section 4 to "keep intact all notices". c) You must license the entire work, as a whole, under this License to anyone who comes into possession of a copy. This License will therefore apply, along with any applicable section 7 additional terms, to the whole of the work, and all its parts, regardless of how they are packaged. This License gives no permission to license the work in any other way, but it does not invalidate such permission if you have separately received it.

d) If the work has interactive user interfaces, each must display Appropriate Legal Notices; however, if the Program has interactive interfaces that do not display Appropriate Legal Notices, your work need not make them do so. A compilation of a covered work with other separate and independent works, which are not by their nature extensions of the covered work, and which are not combined with it such as to form a larger program, in or on a volume of a storage or distribution medium, is called an "aggregate" if the compilation and its resulting copyright are not used to limit the access or legal rights of the compilation's users beyond what the individual works permit. Inclusion of a covered work in an aggregate does not cause this License to apply to the other parts of the aggregate.

6. Conveying Non-Source Forms. You may convey a covered work in object code form under the terms of sections 4 and 5, provided that you also convey the machine-readable Corresponding Source under the terms of this License, in one of these ways: a) Convey the object code in, or embodied in, a physical product (including a physical distribution medium), accompanied by the Corresponding Source fixed on a durable physical medium customarily used for software interchange. b) Convey the object code in, or embodied in, a physical product (including a physical distribution medium), accompanied by a written offer, valid for at least three years and valid for as long as you offer spare parts or customer support for that product model, to give anyone who possesses the object code either (1) a copy of the Corresponding Source for all the software that runs on the object code, or (2) access to copy the Corresponding Source from a network server at no charge. c) Convey individual copies of the object code with a copy of the written offer to provide the Corresponding Source. This alternative is allowed only occasionally and noncommercially, and only if you received the object code in such form, in accord with subsection 6b. d) Convey the object code by offering access from a designated place (gratis or for a charge), and offer equivalent access to the Corresponding Source in the same way through the same place at no further charge. You need not require recipients to copy the Corresponding Source along with the object code. If the place to copy the object code is a network server, the Corresponding Source may be on a different server (operated by you or a third party) that supports equivalent copying facilities, provided you maintain clear directions next to the object code saying where to find the Corresponding Source. Regardless of what server hosts the Corresponding Source, you remain obligated to ensure that it is available for as long as needed to satisfy these requirements. e) Convey the object code using peer-to-peer transmission, provided you inform other peers where the object code and Corresponding Source of the work are being offered to the general public at no charge under subsection 6d.

A separable portion of the object code, whose source code is excluded from the Corresponding Source as a System Library, need not be included in conveying the object code work. A "User Product" is either (1) a "consumer product", which means any tangible personal property which is normally used for personal, family, or household purposes, or (2) anything designed or sold for incorporation into a dwelling. In determining whether a product is a consumer product, doubtful cases shall be resolved in favor of coverage. For a particular product received by a particular user, "normally used" refers to typical or common use of that class of product, regardless of the status of the particular user or of the way in which the particular user actually uses, or expects to use, the product. A product is a consumer product regardless of whether the product has substantial commercial, industrial or non-consumer uses, unless such uses represent the only significant mode of use of the product.

"Installation Information" for a User Product means any methods, procedures, authorization keys, or other information required to install and execute modified versions of a program that is distributed in object code form under this License. The information must suffice to ensure that the continued functioning of the modified object code is in no case prevented or interfered with solely because modification has been made. If you convey an object code work under this section in, or with, or specifically for use in, a User Product, and the conveying occurs as part of a transaction in which the right of possession and use of the User Product is transferred to the recipient by or on behalf of the licensee, then the transaction is characterized, the Corresponding Source conveyed under this section must be accompanied by the Installation Information. But this requirement does not apply if neither you nor any third party retains the ability to install modified object code on the User Product (for example, the work has been installed in ROM).

The requirement to provide installation information does not include a requirement to continue to provide support, service, warranty, or updates for a work that has been modified or installed by the recipient, or for the User Product in which it has been modified or installed. Access to a network may be denied when the modification itself materially and adversely affects the operation of the network or violates the rules and protocols for communication across the network. Corresponding Source conveyed, and Installation Information provided, in accord with this section must

be in a format that is publicly documented (and with an implementation available to the public in source code form), and must require no special password or key for unpacking, reading or copying. 7. Additional Terms.

"Additional permissions" are terms that supplement the terms of this License by making exceptions from one or more of the conditions. Additional permissions that are applicable to the entire Program shall be treated as though they were included in this License, to the extent that they are valid under applicable law. If additional permissions apply only to part of the Program, that part may be used separately under those permissions, but the entire Program remains governed by this License without regard to the additional permissions.

When you convey a copy of a covered work, you may at your option remove any additional permissions from the copy, or from any part of it. (Additional permissions may be written to require their own removal in certain cases when you modify the work.) You may place additional permissions on material, added by you to a covered work, for which you have or can give appropriate copyright permission. Notwithstanding any other provision of this License, for material you add to a covered work, you may (if authorized by the copyright holders of that material) supplement the terms of this License with terms: a) Disclaiming warranty or limiting liability differently from the terms of sections 15 and 16 of this License;

b) Requiring preservation of specified reasonable legal notices or author attributions in that material or in the Appropriate Legal Notices displayed by works containing it; or c) Prohibiting misrepresentation of the origin of that material, or requiring that modified versions of such material be marked in reasonable ways as different from the original version; or d) Limiting the use for publicity purposes of names of licensors or authors of the material; or e) Declining to grant rights under trademark law for use of some trade names, trademarks, or service marks; or f) Requiring indemnification of licensors and authors of that material by anyone who conveys the material (or modified versions of it) with contractual assumptions of liability to the recipient, for any liability that these contractual assumptions directly impose on those licensors and authors.

Additional terms, permissive or non-permissive, may be stated in the form of a separately written license, or stated as exceptions; the above requirements apply either way. 8. Termination.

You may not propagate or modify a covered work except as expressly provided under this License. Any attempt otherwise to propagate or modify it is void, and will automatically terminate your rights under this License (including any patent licenses granted under the third paragraph of section 11). However, if you cease all violation of this License, then your license from a particular copyright holder is reinstated (a) provisionally, unless and until the copyright holder explicitly and finally terminates your license, and (b) permanently, if the copyright holder fails to notify you of the violation by some reasonable means prior to the expiration of this section. If you are notified of the violation by some reasonable means, you may nevertheless cure the violation by ceasing to propagate the material and by notifying the copyright holder. Moreover, your license from a particular copyright holder is reinstated permanently if the copyright holder notifies you of the violation by some reasonable means, this is the first time you have received notice of violation of this License (for any work) from that copyright holder, and you cure the violation prior to 30 days after your receipt of the notice.

Termination of your rights under this section does not terminate the licenses of parties who have received copies or rights from you under this License. If you have received a copy or rights from a party who has not received notice of termination under this section, you do not qualify to receive new licenses for the same material under section 10. 9. Acceptance Not Required for Having Copies. You are not required to accept this License in order to receive or run a copy of the Program. Ancillary propagation of a covered work occurring solely as a consequence of using peer-to-peer transmission to receive a copy likewise does not require acceptance. However, nothing other than this License grants you permission to propagate or modify any covered work. These actions infringe copyright if you do not accept this License. Therefore, by modifying or propagating a covered work, you indicate your acceptance of this License to do so.

10. Automatic Licensing of Downstream Recipients. Each time you convey a covered work, the recipient automatically receives a license from the original licensors, to run, modify and propagate that work, subject to this License. You are not responsible for enforcing the terms of this License. If you are a party to an "entity transaction" (a transaction transferring control of an organization, or substantially all assets of one, or subdividing an organization, or merging organizations), if propagation of a covered work results from an entity transaction, each party to that transaction who receives a copy of the work also receives whatever licenses to the work the party's predecessor in interest had or could give under the previous paragraph, plus a right to possession of the Corresponding Source of the work from the predecessor in interest, if the predecessor has it or can get it with reasonable efforts. You may not impose any further restrictions on the exercise of the rights granted or affirmed under this License. For example, you may not impose a license fee, royalty, or other charge for exercise of rights granted under this License, and you may not initiate litigation (including a cross-claim or counterclaim in a lawsuit) alleging that any patent claim is infringed by making, using, selling, offering for sale, or importing the Program or any portion of it.

11. Patents. A "contributor" is a copyright holder who authorizes use under this License of the Program or a work on which the Program is based. The work thus licensed is called the contributor's "contributor version". A contributor's "essential patent claims" are all patent claims owned or controlled by the contributor, whether already acquired or hereafter acquired, that would be infringed by some manner, permitted by this License, of making, using, or selling its contributor version, but do not include claims that would be infringed only as a consequence of further modification of the contributor version. For purposes of this definition, "control" includes the right to grant patent sublicenses in a manner consistent with the requirements of this License. Each contributor grants you a non-exclusive, worldwide, royalty-free patent license under the contributor's essential patent claims, to make, use, sell, offer for sale, import and otherwise run, modify and propagate the contents of its contributor version.

In the following three paragraphs, a "patent license" is any express agreement or commitment, however denominated, not to enforce a patent (such as an express permission to practice a patent or covenant not to sue for patent infringement). To "grant" such a patent license to a party means to make such an agreement or commitment not to enforce a patent against the party. If you convey a covered work, knowingly relying on a patent license, and the Corresponding Source of the work is not available for anyone to copy, free of charge and under the terms of this License, through a publicly available network server or other readily accessible means, then you must either (1) cause the Corresponding Source to be so available, or (2) arrange to deprive yourself of the benefit of the patent license for this particular work, or (3) arrange, in a manner consistent with the requirements of this License, to extend the patent license to downstream recipients. "Knowingly relying" means you have actual knowledge that, but for the patent license, your conveying the covered work in a country, or your recipient's use of the covered work in a country, would infringe one or more identifiable patents in that country that you have reason to believe are valid.

If, pursuant to or in connection with a single transaction or arrangement, you convey, or propagate by procuring conveyance of, a covered work, and grant a patent license to some of the parties receiving the covered work authorizing them to use, propagate, modify or convey a specific copy of the covered work, then the patent license you grant is automatically extended to all recipients of the covered work and works based on it. This "discriminatory" if it does not include within the scope of its coverage, prohibits the exercise of, or is conditioned on the non-exercise of one or more of the rights that are specifically granted under this License. You may not convey a covered work if you are a party to an arrangement with a third party that is in the business of distributing software, under which you make payment to the third party based on the extent of your activity of conveying the work, and under which the third party grants, to any of the parties who would receive the covered work from you, a discriminatory patent license (a) in connection with copies of the covered work conveyed by you (or copies made from those copies), or (b) primarily for and in connection with specific products or compilations that contain the covered work, unless you entered into that arrangement, or that patent license was granted, prior to 28 March 2007. Nothing in this License shall be construed as excluding or limiting any implied license or other defenses to infringement that may otherwise be available to you under applicable patent law.

12. No Surrender of Others' Freedom. If conditions are imposed on you (whether by court order, agreement or otherwise) that contradict the conditions of this License, they do not excuse you from the conditions of this License. If you cannot convey a covered work so as to satisfy simultaneously your obligations under this License and any other pertinent obligations, then as a consequence you may not convey it at all. For example, if you agree to terms that obligate you to collect a royalty for further conveying from those to whom you convey the Program, the only way you could satisfy both those terms and this License would be to refrain entirely from conveying the Program.

13. Use with the GNU Affero General Public License. Notwithstanding any other provision of this License, you have permission to link or combine any covered work with a work licensed under version 3 of the GNU Affero General Public License into a single combined work, and to convey the resulting work. The terms of this License will continue to apply to the part which is the covered work, but the special requirements of the GNU Affero General Public License, section 13, concerning interaction through a network will apply to the combination as such. 14. Revised Versions of this License. The Free Software Foundation may publish revised and/or new versions of the GNU General Public License from time to time. Such new versions will be similar in spirit to the present version, but may differ in detail to address new problems or concerns.

Each version of the license has a number. If the Program specifies that a certain numbered version of the GNU General Public License "or any later version" applies to it, you have the option of following the terms and conditions either of that numbered version or of any later version published by the Free Software Foundation. If the Program does not specify a version number of the GNU General Public License, you may choose any version ever published by the Free Software Foundation. If the Program specifies that a proxy can decide which future versions of the GNU General Public License can be used, that proxy's public statement of acceptance of a version permanently authorizes you to choose that version for the Program. Later license versions may give you additional or different permissions. However, no additional obligations are imposed on any author or copyright holder as a result of your choosing to follow a later version. 15. Disclaimer of Warranty.

THERE IS NO WARRANTY FOR THE PROGRAM, TO THE EXTENT PERMITTED BY APPLICABLE LAW. EXCEPT WHEN OTHERWISE STATED IN WRITING THE COPYRIGHT HOLDERS AND/OR OTHER PARTIES PROVIDE THE PROGRAM "AS IS" WITHOUT WARRANTY OF ANY KIND, EITHER EXPRESSED OR IMPLIED, INCLUDING, BUT NOT LIMITED TO, THE IMPLIED WARRANTIES OF MERCHANTABILITY AND FITNESS FOR A PARTICULAR PURPOSE. THE ENTIRE RISK AS TO THE QUALITY AND PERFORMANCE OF THE PROGRAM IS WITH YOU. SHOULD THE PROGRAM PROVE DEFECTIVE, YOU ASSUME THE COST OF ALL NECESSARY SERVICING, REPAIR OR CORRECTION.

16. Limitation of Liability.

IN NO EVENT UNLESS REQUIRED BY APPLICABLE LAW OR AGREED TO IN WRITING WILL ANY COPYRIGHT HOLDER, OR ANY OTHER PARTY WHO MODIFIES AND/OR IMPROVES THE PROGRAM, BE LIABLE TO YOU FOR DAMAGES, INCLUDING ANY GENERAL, SPECIAL, INCIDENTAL OR CONSEQUENTIAL DAMAGES ARISING OUT OF THE USE OR INABILITY TO USE THE PROGRAM (INCLUDING BUT NOT LIMITED TO LOSS OF DATA OR DATA BEING RENDERED INACCURATE OR LOSSES SUSTAINED BY YOU OR THIRD PARTIES OR A FAILURE OF THE PROGRAM TO OPERATE WITH ANY OTHER PROGRAMS), EVEN IF SUCH HOLDER OR OTHER PARTY HAS BEEN ADVISED OF THE POSSIBILITY OF SUCH DAMAGES.

17. Interpretation of Sections 15 and 16.
If the disclaimer of warranty and limitation of liability provided above cannot be given local legal effect according to their terms, reviewing courts shall apply local law that most closely approximates an absolute waiver of all civil liability in connection with the Program, unless a warranty or assumption of liability accompanies a copy of the Program in return for a fee.

END OF TERMS AND CONDITIONS

How to Apply These Terms to Your New Programs

If you develop a new program, and you want it to be of the greatest possible use to the public, the best way to achieve this is to make it free software which everyone can redistribute and change under these terms.

To do so, attach the following notices to the program. It is safest to attach them to the start of each source file to most effectively state the exclusion of warranty; and each file should have at least the "copyright" line and a pointer to where the full notice is found.

<one line to give the program's name and a brief idea of what it does.>

Copyright (C) <year> <name of author>

This program is free software; you can redistribute it and/or modify

it under the terms of the GNU General Public License as published by

the Free Software Foundation, either version 3 of the License, or

(at your option) any later version.

This program is distributed in the hope that it will be useful,

but WITHOUT ANY WARRANTY; without even the implied warranty of

MERCHANTABILITY or FITNESS FOR A PARTICULAR PURPOSE. See the

GNU General Public License for more details.

You should have received a copy of the GNU General Public License

along with this program; if not, see <http://www.gnu.org/licenses/>.

Also add information on how to contact you by electronic and paper mail.

If the program does terminal interaction, make it output a short notice like this when it starts in an

interactive mode:

<program> Copyright (C) <year> <name of author>

This program comes with ABSOLUTELY NO WARRANTY; for details type 'show w'.

This is free software, and you are welcome to redistribute it

under certain conditions; type 'show c' for details.

The hypothetical commands 'show w' and 'show c' should show the appropriate parts of the General

Public License. Of course, your program's outputs might be different; for a GUI interface, you would

use an "about box".

You should also get your employer (if you work as a programmer) or school, if any, to sign a "copyright

disclaimer" for the program, if necessary. For more information on this, and how to apply and follow the

GNU GPL, see <http://www.gnu.org/licenses/>.

The GNU General Public License does not permit incorporating your program into proprietary programs. If

your program is a subroutine library, you may consider it more useful to permit linking proprietary

applications with the library. If this is what you want to do, use the GNU Lesser General Public License

instead of this License. But first, please read <http://www.gnu.org/philosophy/why-not-lgpl.html>.

GNU LESSER GENERAL PUBLIC LICENSE

Version 2.1, February 1999

Copyright (C) 1991, 1999 Free Software Foundation, Inc.

51 Franklin Street, Fifth Floor, Boston, MA 02110-1301 USA

Everyone is permitted to copy and distribute verbatim copies of this license document, but changing it is

not allowed.

[This is the first released version of the Lesser GPL. It also counts as the successor of the GNU Library

Public License, version 2, hence the version number 2.1.]

Preamble

The licenses for most software are designed to take away your freedom to share and change it. By

contrast, the GNU General Public Licenses are intended to guarantee your freedom to share and change

free software--to make sure the software is free for all its users.

This license, the GNU Lesser General Public License, applies to some specially designated software packages--

typically libraries--of the Free Software Foundation and other authors who decide to use it. You can use it

too, but we suggest you first think carefully about whether this license or the ordinary General Public

License is the better strategy to use in any particular case, based on the explanations below.

When we speak of free software, we are referring to freedom of use, not price. Our General Public

Licenses are designed to make sure that you have the freedom to distribute copies of free software (and

charge for this service; for example, you receive source code or can get it if you want it), that you can

change the software and use pieces of it in new free programs; and that you are informed that you can

do these things.

To protect your rights, we need to make restrictions that forbid distributors to deny you these rights or to

ask you to surrender these rights. These restrictions translate to certain responsibilities for you if you

distribute copies of the library or if you modify it.

For example, if you distribute the library, whether gratis or for a fee, you must give the

recipients all the rights that we gave you. You must make sure that they, too, receive or can get the source

code. If you link other code with the library, you must provide complete object files to the recipients, so

that they can relink them with the library after making changes to the library and recompiling it. And you

must show them these terms so they know their rights.

We protect your rights with a two-step method: (1) we copyright the library, and (2) we offer you this

license, which gives you legal permission to copy, distribute and/or modify the library.

To protect each distributor, we want to make it very clear that there is no warranty for the free library.

Also, if the library is modified by someone else and passed on, the recipients should know that what they

have is not the original version, so that the original author's reputation will not be affected by problems

that might be introduced by others.

Finally, software patents pose a constant threat to the existence of any free program. We wish to make

sure that a company cannot restrict the use of a free program by obtaining a restrictive

license from a patent holder. Therefore, we insist that any patent license obtained for a version of the

library must be consistent with the full freedom of use specified in this license.

Most GNU software, including some libraries, is covered by the ordinary GNU General Public License. This

license, the GNU Lesser General Public License, applies to certain designated libraries, and is quite

different from the ordinary General Public License. We use this license for certain libraries in order

to permit linking those libraries into non-free programs.

When a program is linked with a library, whether statically or using a shared library, the combination of

the two is legally speaking a combined work, a derivative of the original library. The ordinary General

Public License therefore permits such linking only if the entire combination fits its criteria of freedom. The

Lesser General Public License permits more lax criteria for linking other code with the library.

We call this license the "Lesser" General Public License because it does less to protect the user's freedom

than the ordinary General Public License. It also provides other free software developers less of an

advantage over competing non-free programs. These disadvantages are the reason we use the ordinary

General Public License for many libraries. However, the Lesser license provides advantages in certain

special circumstances.

For example, on rare occasions, there may be a special need to encourage the widest possible use of a

certain library, so that it becomes a de-facto standard. To achieve this, non-free programs must be

allowed to use the library. A more frequent case is that a free library does the same job as widely used

non-free libraries. In this case, there is little to gain by limiting the free library to free software only, so we

use the Lesser General Public License.

In other cases, permission to use a particular library in non-free programs enables a greater number of

people to use a large body of free software. For example, permission to use the GNU C Library in non-

free programs enables many more people to use the whole GNU operating system, as well as its variant,

the GNU/Linux operating system.

Although the Lesser General Public License is less protective of the users' freedom, it does ensure that the

user of a program that is linked with the Library has the freedom and the wherewithal to run that

program using a modified version of the Library.

The precise terms and conditions for copying, distribution and modification follow. Pay close attention to

the difference between a "work based on the library" and a "work that uses the library". The former

contains code derived from the library, whereas the latter must be combined with the library in order to

run.

TERMS AND CONDITIONS FOR COPYING, DISTRIBUTION AND MODIFICATION

0. This License Agreement applies to any software library or other program which contains a notice placed

by the copyright holder or other authorized party saying it may be distributed under the terms of this

Lesser General Public License (also called "this License"). Each licensee is addressed as "you".

A "library" means a collection of software functions and/or data prepared so as to be conveniently linked

with application programs (which use some of those functions and data) to form executables.

The "Library", below, refers to any such software library or work which has been distributed under these

terms. A "work based on the Library" means either the Library or any derivative work under copyright law:

that is to say, a work containing the Library or a portion of it, either verbatim or with modifications and/or

translated straightforwardly into another language. (Hereinafter, translation is included without limitation

in the term "modification".)

"Source code" for a work means the preferred form of the work for making modifications to it. For a

library, complete source code means all the source code for all modules it contains, plus any associated

interface definition files, plus the scripts used to control compilation and installation of the library.

Activities other than copying, distribution and modification are not covered by this License; they are

outside its scope. The act of running a program using the Library is not restricted, and output from such a

program is covered only if its contents constitute a work based on the Library (independent of the use of

the Library in a tool for writing it). Whether that is true depends on what the Library does and what the

program that uses the Library does.

1. You may copy and distribute verbatim copies of the Library's complete source code or as you receive it, in

any medium, provided that you conspicuously and appropriately publish on each copy an appropriate

copyright notice and disclaimer of warranty; keep intact all the notices that refer to this License and to the

absence of any warranty; and distribute a copy of this License along with the Library.

You may charge a fee for the physical act of transferring a copy, and you may at your option offer

warranty protection in exchange for a fee.

2. You may modify your copy or copies of the Library or any portion of it, thus forming a work based on

the Library, and copy and distribute such modifications or work under the terms of Section 1 above,

provided that you also meet all of these conditions:

a) The modified work must itself be a software library.

b) You must cause the files modified to carry prominent notices stating that you changed the files and the

date of any change.

c) You must cause the whole of the work to be licensed at no charge to all third parties under the terms

of this License.

d) If a facility in the modified Library refers to a function or a table of data to be supplied by an

application program that uses the facility, other than as an argument passed when the facility is invoked,

then you must make a good faith effort to ensure that, in the event an application does not supply such

function or table, the facility still operates, and performs whatever part of its purpose remains meaningful.

(For example, a function in a library to compute square roots has a purpose that is entirely well-defined

independent of the application. Therefore, Subsection 2d requires that any application-supplied function

or table used by this function must be optional: if the application does not supply it, the square root

function must still compute square roots.)

These requirements apply to the modified work as a whole. If identifiable sections of that work are not

derived from the Library, and can be reasonably considered independent and separate works in

themselves, then this License, and its terms, do not apply to those sections when you distribute them as

separate works. But when you distribute the same sections as part of a whole which is a work based on

the Library, the distribution of the whole must be on the terms of this License, whose permissions for

other licensees extend to the entire whole, and thus to each and every part regardless of who wrote it.

This does not limit the scope of this section to claim rights or contest your rights in the work written entirely

by you; rather, the intent is to exercise the right to control the distribution of derivative or collective works

based on the Library.

In addition, mere aggregation of another work not based on the Library with the Library (or with a work

based on the Library) on a volume of a storage or distribution medium does not bring the other work

under the scope of this License.

3. You may opt to apply the terms of the ordinary GNU General Public License instead of this License to a

given copy of the Library. To do this, you must alter all the notices that refer to this License, so that they

refer to the ordinary GNU General Public License, version 2, instead of to this License. (If a newer version

than version 2 of the ordinary GNU General Public License has appeared, then you can specify that

version instead if you wish.) Do not make any other change in these notices.

Once this change is made in a given copy, it is irreversible for that copy, so the ordinary GNU General

Public License applies to all subsequent copies and derivative works made from that copy.

This option is useful when you wish to copy part of the code of the Library into a program that is not a

library.

4. You may copy and distribute the Library (or a portion or derivative of it, under Section 2) in object code

or executable form under the terms of Sections 1 and 2 above provided that you accompany it with the

complete corresponding machine-readable source code, which must be distributed under the terms of

this License, in a form customary used for software interchange.

If distribution of object code is made by offering access to copy from a designated place, then offering

equivalent access to copy the source code from the same place satisfies the requirement to distribute the

source code, even though third parties are not compelled to copy the source along with the object code.

5. A program that contains no derivative of any portion of the Library, but is designed to work with the

Library by being compiled or linked with it, is called a "work that uses the Library". Such a work, in

isolation, is not a derivative work of the Library, and therefore falls outside the scope of this License.

However, linking a "work that uses the Library" with the Library creates an executable that is a derivative

of the Library (because it contains portions of the Library), rather than a "work that uses the library". The

executable is therefore covered by this License. Section 6 states terms for distribution of such executables.

When a "work that uses the Library" uses material from a header file that is part of the Library, the object

code for the work may be a derivative work of the Library even though the source code is not. Whether

this is true is especially significant if the work can be linked without the Library, or if the work is itself a

library. The threshold for this to be true is not precisely defined by law.

If such an object file uses only numerical parameters, data structure layouts and accessors, and small

macros and small inline functions (ten lines or less in length), then the use of the object file is

unrestricted, regardless of whether it is legally a derivative work. (Executables containing this object code

plus portions of the Library will still fall under Section 6.)

Otherwise, if the work is a derivative of the Library, you may distribute the object code for the work under

the terms of Section 6. Any executables containing that work also fall under Section 6, whether or not

they are linked directly with the Library itself.

6. As an exception to the Sections above, you may also combine or link a "work that uses the Library"

with the Library to produce a work containing portions of the Library, and distribute that work under

terms of your choice, provided that the terms permit modification of the work for the customer's own use

and reverse engineering for debugging and maintenance.

You must give prominent notice with each copy of the work that the Library is used in it and that the

Library and its use are covered by this License. You must supply a copy of this License. If the work during

execution displays copyright notices, you must include the copyright notice for the Library among them,

as well as a reference directing the user to the copy of this License. Also, you must do one of these

things:

a) Accompany the work with the complete corresponding machine-readable source code for the Library

including whatever changes were used in the work (which must be distributed under Sections 1 and 2

above); and, if the work is an executable linked with the Library, with the complete machine-readable

"work that uses the Library", as object code and/or source code, so that the user can modify the Library

and then relink to produce a modified executable containing the modified Library. (It is understood that

the user who changes the contents of definitions files in the Library will not necessarily be able to

relink.)

b) Use a suitable shared library mechanism for linking with the Library. A suitable mechanism is one that

(1) uses at run time a copy of the library already present on the user's computer system, rather than

copying library functions into the executable, and (2) will operate properly with a modified version of

the library, if the user installs one, as long as the modified version is interface-compatible with the version

that the work was made with.

c) Accompany the work with a written offer, valid for at least three years, to give the same user the

materials specified in Subsection 6a, above, for a charge no more than the cost of performing this

distribution.

d) If distribution of the work is made by offering access to copy from a designated place, offer equivalent

access to copy the above specified materials from the same place.

e) Verify that the user has already received a copy of these materials or that you have already sent this

copy.

For an executable, the required form of the "work that uses the Library" must include any data and utility

programs needed for reproducing the executable from it. However, as a special exception, the materials to

be distributed need not include anything that is normally distributed (in either source or binary form) with

the major components (compiler, kernel, and so on) of the operating system on which the executable

runs, unless that component itself accompanies the executable.

Nothing in this section reduces the restrictions that the license of other proprietary libraries that

do not normally accompany the operating system. Such a contradiction means you cannot use both them

and the Library together in an executable that you distribute.

7. You may place library facilities that are a work based on the Library side-by-side in a single library

together with other library facilities not covered by this License, and distribute such a combined library,

provided that the separate distribution of the work based on the Library and of the other library facilities

is possible. It is your responsibility to contact the copyright holder for each of these two things:

a) Accompany the combined library with a copy of the same work based on the Library, uncombined with

any other library facilities. This must be distributed under the terms of the Sections above.

b) Give prominent notice with the combined library of the fact that part of it is a work based on the

Library, and explaining where to find the accompanying uncombined form of the same work.

8. You may not copy, modify, sublicense, link with, or distribute the Library except as expressly provided

under this License. Any attempt otherwise to copy, modify, sublicense, link with, or distribute the Library is

void, and will automatically terminate your rights under this License. However, parties who have received

copies, or rights, from you under this License will not have their licenses terminated so long as such

parties remain in full compliance.

9. You are not required to accept this License, since you have not signed it. However, nothing else grants

you permission to modify or distribute the Library or its derivative works. These actions are prohibited by

law unless you do so in accordance with this License. Therefore, by modifying or distributing the Library (or any

work

explicit geographical distribution limitation excluding those countries, so that distribution is permitted only in or among countries not thus excluded. In such case, this License incorporates the limitation as if written in the body of this License.

13. The Free Software Foundation may publish revised and/or new versions of the Lesser General Public License from time to time. Such new versions will be similar in spirit to the present version, but may differ in detail to address new problems or concerns.

Each version is given a distinguishing version number. If the Library specifies a version number of this License which applies to it and "any later version", you have the option of following the terms and conditions either of that version or of any later version published by the Free Software Foundation. If the Library does not specify a license version number, you may choose any version ever published by the Free Software Foundation.

14. If you wish to incorporate parts of the Library into other free programs whose distribution conditions are incompatible with these, write to the author to ask for permission. For software which is copyrighted by the Free Software Foundation, write to the Free Software Foundation; we sometimes make exceptions for this. Our decision will be guided by the two goals of preserving the free status of all derivatives of our free software and of promoting the sharing and reuse of software generally.

NO WARRANTY

15. BECAUSE THE LIBRARY IS LICENSED FREE OF CHARGE, THERE IS NO WARRANTY FOR THE LIBRARY, TO THE EXTENT PERMITTED BY APPLICABLE LAW. EXCEPT WHEN OTHERWISE STATED IN WRITING THE COPYRIGHT HOLDERS AND/OR OTHER PARTIES PROVIDE THE LIBRARY "AS IS" WITHOUT WARRANTY OF ANY KIND, EITHER EXPRESSED OR IMPLIED, INCLUDING, BUT NOT LIMITED TO, THE IMPLIED WARRANTIES OF MERCHANTABILITY AND FITNESS FOR A PARTICULAR PURPOSE. THE ENTIRE RISK AS TO THE QUALITY AND PERFORMANCE OF THE LIBRARY IS WITH YOU. SHOULD THE LIBRARY PROVE DEFECTIVE, YOU ASSUME THE COST OF ALL NECESSARY SERVICING, REPAIR OR CORRECTION.

16. IN NO EVENT UNLESS REQUIRED BY APPLICABLE LAW OR AGREED TO IN WRITING WILL ANY COPYRIGHT HOLDER, OR ANY OTHER PARTY WHO MAY MODIFY AND/OR REDISTRIBUTE THE LIBRARY AS PERMITTED ABOVE, BE LIABLE TO YOU FOR DAMAGES, INCLUDING ANY GENERAL, SPECIAL, INCIDENTAL OR CONSEQUENTIAL DAMAGES ARISING OUT OF THE USE OR INABILITY TO USE THE LIBRARY (INCLUDING BUT NOT LIMITED TO LOSS OF DATA OR DATA BEING RENDERED INACCURATE OR LOSSES SUSTAINED BY YOU OR THIRD PARTIES OR A FAILURE OF THE LIBRARY TO OPERATE WITH ANY OTHER SOFTWARE), EVEN IF SUCH HOLDER OR OTHER PARTY HAS BEEN ADVISED OF THE POSSIBILITY OF SUCH DAMAGES.

END OF TERMS AND CONDITIONS

How to Apply These Terms to Your Libraries

If you develop a new library, and you want it to be of the greatest possible use to the public, we recommend making it free software that everyone can redistribute and change. You can do so by permitting redistribution under these terms (or, alternatively, under the terms of the ordinary General Public License).

To apply these terms, attach the following notices to the library. It is safest to attach them to the start of each source file to most effectively convey the exclusion of warranty; and each file should have at least the "copyright" line and a pointer to where the full notice is found.

one line to give the library's name and an idea of what it does.
Copyright (C) year name of author

This library is free software; you can redistribute it and/or modify it under the terms of the GNU Lesser General Public License as published by the Free Software Foundation; either version 2.1 of the License, or (at your option) any later version.

This library is distributed in the hope that it will be useful, but WITHOUT ANY WARRANTY; without even the implied warranty of MERCHANTABILITY or FITNESS FOR A PARTICULAR PURPOSE. See the GNU Lesser General Public License for more details.

You should have received a copy of the GNU Lesser General Public License along with this library; if not, write to the Free Software Foundation, Inc., 51 Franklin Street, Fifth Floor, Boston, MA 02110-1301 USA

Also add information on how to contact you by electronic and paper mail.
You should also get your employer (if you work as a programmer) or your school, if any, to sign a "copyright disclaimer" for the library, if necessary. Here is a sample; alter the names:

Yoyodyne, Inc., hereby disclaims all copyright interest in
the library 'Frob' (a library for tweaking knobs) written
by James Random Hacker.

signature of Ty Coon, 1 April 1990
Ty Coon, President of Vice

That's all there is to it!

Apache License

Version 2.0, January 2004

<http://www.apache.org/licenses/>

TERMS AND CONDITIONS FOR USE, REPRODUCTION, AND DISTRIBUTION

1. Definitions.

"License" shall mean the terms and conditions for use, reproduction, and distribution as defined by Sections 1 through 9 of this document.

"Licensor" shall mean the copyright owner or entity authorized by the copyright owner that is granting the License.

"Legal Entity" shall mean the union of the acting entity and all other entities that control, are controlled by, or are under common control with that entity. For the purposes of this definition, "control" means (i) the power, direct or indirect, to cause the management or administration of such entity, whether by contract or otherwise, or (ii) ownership of fifty percent (50%) or more of the outstanding shares, or (iii) beneficial ownership of such entity.

"You" (or "your") shall mean an individual or Legal Entity exercising permissions granted by this License.

"Source" form shall mean the preferred form for making modifications, including but not limited to software source code, documentation source, and configuration files.

"Object" form shall mean any form resulting from mechanical transformation or translation of a Source form, including but not limited to compiled object code, generated documentation, and conversions to other media types.

"Work" shall mean the work of authorship, whether in Source or Object form, made available under the License, as indicated by a copyright notice that is included in or attached to the work (an example is provided in the Appendix below).

"Derivative Works" shall mean any work, whether in Source or Object form, that is based on (or derived from) the Work and for which the editorial revisions, annotations, elaborations, or other modifications represent, as a whole, an original work of authorship. For the purposes of this License, Derivative Works shall not include works that remain separable from, or merely link (or bind by name) to the interfaces of, the Work and Derivative Works thereof.

"Contribution" shall mean any work of authorship, including the original version of the Work and any modifications or additions to that Work or Derivative Works thereof that is intentionally submitted to Licensor for inclusion in the Work by the copyright owner or by an individual or Legal Entity authorized to submit on behalf of the copyright owner. For the purposes of this definition, "submitted" means any form of electronic, verbal, or written communication sent to the Licensor or its representatives, including but not limited to communication on electronic mailing lists, source code control systems, and issue tracking systems that are managed by, or on behalf of, the Licensor for the purpose of discussing and improving the Work, but excluding communications that are conspicuously marked or otherwise designated in writing by the copyright owner as "Not a Contribution."

"Contributor" shall mean Licensor and any individual or Legal Entity on behalf of whom a Contribution has been received by Licensor and subsequently incorporated within the Work.

2. Grant of Copyright License. Subject to the terms and conditions of this License, each Contributor hereby grants to You a perpetual, worldwide, non-exclusive, no-charge, royalty-free, irrevocable copyright license to reproduce, prepare Derivative Works of, publicly display, publicly perform, sublicense, and distribute the Work and such Derivative Works in Source or Object form.

3. Grant of Patent License. Subject to the terms and conditions of this License, each Contributor hereby grants to You a perpetual, worldwide, non-exclusive, no-charge, royalty-free, irrevocable (except as stated in this section) patent license to make, have made, use, offer to sell, sell, import, and otherwise transfer the Work, where such license applies only to those patent claims licensable by such Contributor that are necessarily infringed by its Contribution(s) alone or by combination of its Contribution(s) with the Work to which such Contribution(s) was submitted. If you institute patent litigation against any entity (including a cross-claim or counterclaim in a lawsuit) alleging that the Work or a Contribution incorporated within the Work constitutes direct or contributory patent infringement, then any patent licenses granted to You under this License for that Work shall terminate as of the date such litigation is filed.

4. Redistribution. You may reproduce and distribute copies of the Work or Derivative Works thereof in any medium, with or without modifications, and in Source or Object form, provided that You meet the following conditions:

1. You must give any other recipients of the Work or Derivative Works a copy of this License; and
2. You must cause any modified files to carry prominent notices stating that You changed the files; and
3. You must retain a copyright notice for any Derivative Works that You distribute, all copyright, patent, trademark, and attribution notices from the Source form of the Work, excluding those notices that do not pertain to any part of the Derivative Works; and
4. If the Work includes a "NOTICE" text file as part of its distribution, then any Derivative Works that You distribute must include a readable copy of the attribution notices contained within such NOTICE file, excluding those notices that do not pertain to any part of the Derivative Works, in at least one of the following places: (a) a prominent position in the Derivative Works; (b) in the Source form of the Derivative Works; or (c) provided along with the Derivative Works; or (d) in a display generated by the Derivative Works, if and wherever such third-party notices normally appear. The contents of the NOTICE file are for informational purposes only and do not modify the License. You may add Your own attribution notices within Derivative Works that You distribute, alongside or as an addendum to the NOTICE text from the Work, provided that such additional attribution notices cannot be construed as modifying the License.

You may add Your own copyright statement to Your modifications and may provide additional or different license terms and conditions for use, reproduction, or distribution of Your modifications, or for any such Derivative Works as a whole, provided Your use, reproduction, and distribution of the Work otherwise complies with the conditions stated in this License.

5. Submission of Contributions. Unless You explicitly state otherwise, any Contribution intentionally submitted for inclusion in the Work by You to the Licensor shall be under the terms and conditions of this License, without any additional terms or conditions. Notwithstanding the above, nothing herein shall supersede or modify the terms of any separate license agreement you may have executed with Licensor regarding such Contributions.

6. Trademarks. This License does not grant permission to use the trade names, trademarks, service marks, or product names of the Licensor, except as required for reasonable and customary use in describing the

origin of the Work and reproducing the content of the NOTICE file.

7. Disclaimer of Warranty. Unless required by applicable law or agreed to in writing, Licensor provides the Work (and each Contributor provides its Contributions) on an "AS IS" BASIS, WITHOUT WARRANTIES OR CONDITIONS OF ANY KIND, either express or implied, including, without limitation, any warranties or conditions of TITLE, NON-INFRINGEMENT, MERCHANTABILITY, or FITNESS FOR A PARTICULAR PURPOSE. You are solely responsible for determining the appropriateness of using or redistributing the Work and assume any risks associated with Your exercise of permissions under this License.

8. Limitation of Liability. In no event and under no legal theory, whether in tort (including negligence), contract, or otherwise, unless required by applicable law (such as deliberate and grossly negligent acts) or agreed to in writing, shall any Contributor be liable to You for damages, including any direct, indirect, special, incidental, or consequential damages arising out of the use or inability to use the Work (including but not limited to damages for loss of goodwill, work stoppage, computer failure or malfunction, or any and all other commercial damages or losses), even if such Contributor has been advised of the possibility of such damages.

9. Accepting Warranty or Additional Liability. While redistributing the Work or Derivative Works thereof, you may choose to offer, and charge a fee for, acceptance of support, warranty, indemnity, or other liability obligations and/or rights consistent with this License. However, in accepting such obligations, you may act only on Your own behalf and on Your sole responsibility, not on behalf of any other Contributor, and only if You agree to indemnify, defend, and hold each Contributor harmless for any liability incurred by, or claims asserted against, such Contributor by reason of your accepting any such warranty or additional liability.

APPENDIX: How to apply the Apache License to your work

To apply the Apache License to your work, attach the following boilerplate notice, with the fields enclosed by brackets "[]" replaced with your own identifying information. (Don't include the brackets!) The text should be enclosed in the appropriate comment syntax for the file format. We also recommend that a file or class name and description of purpose be included on the same "printed page" as the copyright notice for easier identification within third-party archives.

Copyright [year] [name of copyright owner]

Licensed under the Apache License, Version 2.0 (the "License");

you may not use this file except in compliance with the License.

You may obtain a copy of the License at

<http://www.apache.org/licenses/LICENSE-2.0>

Unless required by applicable law or agreed to in writing, software

distributed under the License is distributed on an "AS IS" BASIS,

WITHOUT WARRANTIES OR CONDITIONS OF ANY KIND, either express or implied.

See the License for the specific language governing permissions and

limitations under the License.

ash license:

Copyright (c) 1989, 1991, 1993, 1994 The Regents of the University of California.

All rights reserved.

This code is derived from software contributed to Berkeley by Kenneth Alquist

Redistribution and use in source and binary forms, with or without modification, are permitted provided that the following conditions are met:

1.Redistributions of source code must retain the above copyright notice, this list of conditions and the following disclaimer.

2.Redistributions in binary form must reproduce the above copyright notice, this list of conditions and the following disclaimer in the documentation and/or other materials provided with the distribution.

3.Neither the name of the University nor the names of its contributors may be used to endorse or promote products derived from this software without specific prior written permission.

THIS SOFTWARE IS PROVIDED BY THE REGENTS AND CONTRIBUTORS "AS IS" AND ANY EXPRESS OR IMPLIED WARRANTIES, INCLUDING, BUT NOT LIMITED TO, THE IMPLIED WARRANTIES OF MERCHANTABILITY AND FITNESS FOR A PARTICULAR PURPOSE ARE DISCLAIMED. IN NO EVENT SHALL THE REGENTS OR CONTRIBUTORS BE LIABLE FOR ANY DIRECT, INDIRECT, INCIDENTAL, SPECIAL, EXEMPLARY, OR CONSEQUENTIAL DAMAGES (INCLUDING, BUT NOT LIMITED TO, PROCUREMENT OF SUBSTITUTE GOODS OR SERVICES; LOSS OF USE, DATA, OR PROFITS; OR BUSINESS INTERRUPTION) HOWEVER CAUSED AND ON ANY THEORY OF LIABILITY, WHETHER IN CONTRACT, STRICT LIABILITY, OR TORT (INCLUDING NEGLIGENCE OR OTHERWISE) ARISING IN ANY WAY OUT OF THE USE OF THIS SOFTWARE, EVEN IF ADVISED OF THE POSSIBILITY OF SUCH DAMAGE.

Copyright (c) 2005-2009, Thomas BERNARD

All rights reserved.

Redistribution and use of this software in source and binary forms, with or without modification, are permitted provided that the following conditions are met:

1.Redistributions of source code must retain the above copyright notice, this list of conditions and the following disclaimer.

2.Redistributions in binary form must reproduce the above copyright notice, this list of conditions and the following disclaimer in the documentation and/or other materials provided with the distribution.

3.Neither the name of the author may be used to endorse or promote products derived from this software without specific prior written permission.

THIS SOFTWARE IS PROVIDED BY THE COPYRIGHT HOLDERS AND CONTRIBUTORS "AS IS" AND ANY EXPRESS OR IMPLIED WARRANTIES, INCLUDING, BUT NOT LIMITED TO, THE IMPLIED WARRANTIES OF MERCHANTABILITY AND FITNESS FOR A PARTICULAR PURPOSE ARE DISCLAIMED. IN NO EVENT SHALL THE COPYRIGHT OWNER OR CONTRIBUTORS BE LIABLE FOR ANY DIRECT, INDIRECT, INCIDENTAL, SPECIAL, EXEMPLARY, OR CONSEQUENTIAL DAMAGES (INCLUDING, BUT NOT LIMITED TO, PROCUREMENT OF SUBSTITUTE GOODS OR SERVICES; LOSS OF USE, DATA, OR PROFITS; OR BUSINESS INTERRUPTION) HOWEVER CAUSED AND ON ANY THEORY OF LIABILITY, WHETHER IN CONTRACT, STRICT LIABILITY, OR TORT (INCLUDING NEGLIGENCE OR OTHERWISE) ARISING IN ANY WAY OUT OF THE USE OF THIS SOFTWARE, EVEN IF ADVISED OF THE POSSIBILITY OF SUCH DAMAGE.

Copyright (c) 1989 Regents of the University of California.

All rights reserved.

Redistribution and use in source and binary forms, with or without modification, are permitted provided that the following conditions are met:

1.Redistributions of source code must retain the above copyright notice, this list of conditions and the following disclaimer.

2.Redistributions in binary form must reproduce the above copyright notice, this list of conditions and the following disclaimer in the documentation and/or other materials provided with the distribution.

3.All advertising materials mentioning features or use of this software must display the following acknowledgment:

This product includes software developed by the University of California, Berkeley and its contributors.

4.Neither the name of the University nor the names of its contributors may be used to endorse or promote products derived from this software without specific prior written permission.

THIS SOFTWARE IS PROVIDED BY THE REGENTS AND CONTRIBUTORS "AS IS" AND ANY EXPRESS OR IMPLIED WARRANTIES, INCLUDING, BUT NOT LIMITED TO, THE IMPLIED WARRANTIES OF MERCHANTABILITY AND FITNESS FOR A PARTICULAR PURPOSE ARE DISCLAIMED. IN NO EVENT SHALL THE REGENTS OR CONTRIBUTORS BE LIABLE FOR ANY DIRECT, INDIRECT, INCIDENTAL, SPECIAL, EXEMPLARY, OR CONSEQUENTIAL DAMAGES (INCLUDING, BUT NOT LIMITED TO, PROCUREMENT OF SUBSTITUTE GOODS OR SERVICES; LOSS OF USE, DATA, OR PROFITS; OR BUSINESS INTERRUPTION) HOWEVER CAUSED AND ON ANY THEORY OF LIABILITY, WHETHER IN CONTRACT, STRICT LIABILITY, OR TORT (INCLUDING NEGLIGENCE OR OTHERWISE) ARISING IN ANY WAY OUT OF THE USE OF THIS SOFTWARE, EVEN IF ADVISED OF THE POSSIBILITY OF SUCH DAMAGE.

YUI License:

Copyright (c) 2011, Yahoo! Inc.

All rights reserved.

Redistribution and use of this software in source and binary forms, with or without modification, are permitted provided that the following conditions are met:

1.Redistributions of source code must retain the above copyright notice, this list of conditions and the following disclaimer.

2.Redistributions in binary form must reproduce the above copyright notice, this list of conditions and the following disclaimer in the documentation and/or other materials provided with the distribution.

3.All advertising materials mentioning features or use of this software must display the following acknowledgment:

This product includes software developed by the University of California, Berkeley and its contributors.

4.Neither the name of the University nor the names of its contributors may be used to endorse or promote products derived from this software without specific prior written permission.

THIS SOFTWARE IS PROVIDED BY THE REGENTS AND CONTRIBUTORS "AS IS" AND ANY EXPRESS OR IMPLIED WARRANTIES, INCLUDING, BUT NOT LIMITED TO, THE IMPLIED WARRANTIES OF MERCHANTABILITY AND FITNESS FOR A PARTICULAR PURPOSE ARE DISCLAIMED. IN NO EVENT SHALL THE REGENTS OR CONTRIBUTORS BE LIABLE FOR ANY DIRECT, INDIRECT, INCIDENTAL, SPECIAL, EXEMPLARY, OR CONSEQUENTIAL DAMAGES (INCLUDING, BUT NOT LIMITED TO, PROCUREMENT OF SUBSTITUTE GOODS OR SERVICES; LOSS OF USE, DATA, OR PROFITS; OR BUSINESS INTERRUPTION) HOWEVER CAUSED AND ON ANY THEORY OF LIABILITY, WHETHER IN CONTRACT, STRICT LIABILITY, OR TORT (INCLUDING NEGLIGENCE OR OTHERWISE) ARISING IN ANY WAY OUT OF THE USE OF THIS SOFTWARE, EVEN IF ADVISED OF THE POSSIBILITY OF SUCH DAMAGE.

Copyright (c) 1993 The Australian National University.

All rights reserved.

Redistribution and use in source and binary forms are permitted provided that the above copyright notice and this paragraph are duplicated in all such forms and that any documentation, advertising materials, and other materials related to such distribution and use acknowledge that the software was developed by Carnegie Mellon University. The name of the University may not be used to endorse or promote products derived from this software without specific prior written permission.

THIS SOFTWARE IS PROVIDED "AS IS" AND WITHOUT ANY EXPRESS OR IMPLIED WARRANTIES, INCLUDING, WITHOUT LIMITATION, THE IMPLIED WARRANTIES OF MERCHANTABILITY AND FITNESS FOR A PARTICULAR PURPOSE.

Copyright (c) 1989 Carnegie Mellon University.

All rights reserved.

Redistribution and use in source and binary forms are permitted provided that the above copyright notice and this paragraph are duplicated in all such forms and that any documentation, advertising materials, and other materials related to such distribution and use acknowledge that the software was developed by Carnegie Mellon University. The name of the University may not be used to endorse or promote products derived from this software without specific prior written permission.

THIS SOFTWARE IS PROVIDED "AS IS" AND WITHOUT ANY EXPRESS OR IMPLIED WARRANTIES, INCLUDING, WITHOUT LIMITATION, THE IMPLIED WARRANTIES OF MERCHANTABILITY AND FITNESS FOR A PARTICULAR PURPOSE.

Copyright (c) 1998 by the Massachusetts Institute of Technology.

All rights reserved.

Redistribution and use of this software in source and binary forms, with or without modification, are permitted provided that the following conditions are met:

1.Redistributions of source code must retain the above copyright notice, this list of conditions and the following disclaimer.

2.Redistributions in binary form must reproduce the above copyright notice, this list of conditions and the following disclaimer in the documentation and/or other materials provided with the distribution.

3.All advertising materials mentioning features or use of this software must display the following acknowledgment:

This product includes software developed by the University of California, Berkeley and its contributors.

4.Neither the name of the University nor the names of its contributors may be used to endorse or promote products derived from this software without specific prior written permission.

THIS SOFTWARE IS PROVIDED BY THE REGENTS AND CONTRIBUTORS "AS IS" AND ANY EXPRESS OR IMPLIED WARRANTIES, INCLUDING, BUT NOT LIMITED TO, THE IMPLIED WARRANTIES OF MERCHANTABILITY AND FITNESS FOR A PARTICULAR PURPOSE ARE DISCLAIMED. IN NO EVENT SHALL THE REGENTS OR CONTRIBUTORS BE LIABLE FOR ANY DIRECT, INDIRECT, INCIDENTAL, SPECIAL, EXEMPLARY, OR CONSEQUENTIAL DAMAGES (INCLUDING, BUT NOT LIMITED TO, PROCUREMENT OF SUBSTITUTE GOODS OR SERVICES; LOSS OF USE, DATA, OR PROFITS; OR BUSINESS INTERRUPTION) HOWEVER CAUSED AND ON ANY THEORY OF LIABILITY, WHETHER IN CONTRACT, STRICT LIABILITY, OR TORT (INCLUDING NEGLIGENCE OR OTHERWISE) ARISING IN ANY WAY OUT OF THE USE OF THIS SOFTWARE, EVEN IF ADVISED OF THE POSSIBILITY OF SUCH DAMAGE.

Copyright (c) 1993 The Australian National University.

All rights reserved.

Redistribution and use in source and binary forms are permitted provided that the above copyright notice and this paragraph are duplicated in all such forms and that any documentation, advertising materials, and other materials related to such distribution and use acknowledge that the software was developed by Carnegie Mellon University. The name of the University may not be used to endorse or promote products derived from this software without specific prior written permission.

THIS SOFTWARE IS PROVIDED "AS IS" AND WITHOUT ANY EXPRESS OR IMPLIED WARRANTIES, INCLUDING, WITHOUT LIMITATION, THE IMPLIED WARRANTIES OF MERCHANTABILITY AND FITNESS FOR A PARTICULAR PURPOSE.

Copyright (c) 1989 Carnegie Mellon University.

All rights reserved.

Redistribution and use in source and binary forms are permitted provided that the above copyright notice and this paragraph are duplicated in all such forms and that any documentation, advertising materials, and other materials related to such distribution and use acknowledge that the software was developed by Carnegie Mellon University. The name of the University may not be used to endorse or promote products derived from this software without specific prior written permission.

THIS SOFTWARE IS PROVIDED "AS IS" AND WITHOUT ANY EXPRESS OR IMPLIED WARRANTIES, INCLUDING, WITHOUT LIMITATION, THE IMPLIED WARRANTIES OF MERCHANTABILITY AND FITNESS FOR A PARTICULAR PURPOSE.

Copyright (c) 1998 by the Massachusetts Institute of Technology.

All rights reserved.

Redistribution and use of this software in source and binary forms, with or without modification, are permitted provided that the following conditions are met:

1.Redistributions of source code must retain the above copyright notice, this list of conditions and the following disclaimer.

2.Redistributions in binary form must reproduce the above copyright notice, this list of conditions and the following disclaimer in the documentation and/or other materials provided with the distribution.

3.All advertising materials mentioning features or use of this software must display the following acknowledgment:

This product includes software developed by the University of California, Berkeley and its contributors.

4.Neither the name of the University nor the names of its contributors may be used to endorse or promote products derived from this software without specific prior written permission.

THIS SOFTWARE IS PROVIDED BY THE REGENTS AND CONTRIBUTORS "AS IS" AND ANY EXPRESS OR IMPLIED WARRANTIES, INCLUDING, BUT NOT LIMITED TO, THE IMPLIED WARRANTIES OF MERCHANTABILITY AND FITNESS FOR A PARTICULAR PURPOSE ARE DISCLAIMED. IN NO EVENT SHALL THE REGENTS OR CONTRIBUTORS BE LIABLE FOR ANY DIRECT, INDIRECT, INCIDENTAL, SPECIAL, EXEMPLARY, OR CONSEQUENTIAL DAMAGES (INCLUDING, BUT NOT LIMITED TO, PROCUREMENT OF SUBSTITUTE GOODS OR SERVICES; LOSS OF USE, DATA, OR PROFITS; OR BUSINESS INTERRUPTION) HOWEVER CAUSED AND ON ANY THEORY OF LIABILITY, WHETHER IN CONTRACT, STRICT LIABILITY, OR TORT (INCLUDING NEGLIGENCE OR OTHERWISE) ARISING IN ANY WAY OUT OF THE USE OF THIS SOFTWARE, EVEN IF ADVISED OF THE POSSIBILITY OF SUCH DAMAGE.

Copyright (c) 1993 The Australian National University.

All rights reserved.

Redistribution and use in source and binary forms are permitted provided that the above copyright notice and this paragraph are duplicated in all such forms and that any documentation, advertising materials, and other materials related to such distribution and use acknowledge that the software was developed by Carnegie Mellon University. The name of the University may not be used to endorse or promote products derived from this software without specific prior written permission.

THIS SOFTWARE IS PROVIDED "AS IS" AND WITHOUT ANY EXPRESS OR IMPLIED WARRANTIES, INCLUDING, WITHOUT LIMITATION, THE IMPLIED WARRANTIES OF MERCHANTABILITY AND FITNESS FOR A PARTICULAR PURPOSE.

Copyright (c) 1989 Carnegie Mellon University.

All rights reserved.

Redistribution and use in source and binary forms are permitted provided that the above copyright notice and this paragraph are duplicated in all such forms and that any documentation, advertising materials, and other materials related to such distribution and use acknowledge that the software was developed by Carnegie Mellon University. The name of the University may not be used to endorse or promote products derived from this software without specific prior written permission.

THIS SOFTWARE IS PROVIDED "AS IS" AND WITHOUT ANY EXPRESS OR IMPLIED WARRANTIES, INCLUDING, WITHOUT LIMITATION, THE IMPLIED WARRANTIES OF MERCHANTABILITY AND FITNESS FOR A PARTICULAR PURPOSE.

Copyright (c) 1998 by the Massachusetts Institute of Technology.

All rights reserved.

Redistribution and use of this software in source and binary forms, with or without modification, are permitted provided that the following conditions are met:

1.Redistributions of source code must retain the above copyright notice, this list of conditions and the following disclaimer.

2.Redistributions in binary form must reproduce the above copyright notice, this list of conditions and the following disclaimer in the documentation and/or other materials provided with the distribution.

3.All advertising materials mentioning features or use of this software must display the following acknowledgment:

This product includes software developed by the University of California, Berkeley and its contributors.

4.Neither the name of the University nor the names of its contributors may be used to endorse or promote products derived from this software without specific prior written permission.

THIS SOFTWARE IS PROVIDED BY THE REGENTS AND CONTRIBUTORS "AS IS" AND ANY EXPRESS OR IMPLIED WARRANTIES, INCLUDING, BUT NOT LIMITED TO, THE IMPLIED WARRANTIES OF MERCHANTABILITY AND FITNESS FOR A PARTICULAR PURPOSE ARE DISCLAIMED. IN NO EVENT SHALL THE REGENTS OR CONTRIBUTORS BE LIABLE FOR ANY DIRECT, INDIRECT, INCIDENTAL, SPECIAL, EXEMPLARY, OR CONSEQUENTIAL DAMAGES (INCLUDING, BUT NOT LIMITED TO, PROCUREMENT OF SUBSTITUTE GOODS OR SERVICES; LOSS OF USE, DATA, OR PROFITS; OR BUSINESS INTERRUPTION) HOWEVER CAUSED AND ON ANY THEORY OF LIABILITY, WHETHER IN CONTRACT, STRICT LIABILITY, OR TORT (INCLUDING NEGLIGENCE OR OTHERWISE) ARISING IN ANY WAY OUT OF THE USE OF THIS SOFTWARE, EVEN IF ADVISED OF THE POSSIBILITY OF SUCH DAMAGE.

Copyright (c) 1993 The Australian National University.

All rights reserved.

Redistribution and use in source and binary forms are permitted provided that the above copyright notice and this paragraph are duplicated in all such forms and that any documentation, advertising materials, and other materials related to such distribution and use acknowledge that the software was developed by Carnegie Mellon University. The name of the University may not be used to endorse or promote products derived from this software without specific prior written permission.

THIS SOFTWARE IS PROVIDED "AS IS" AND WITHOUT ANY EXPRESS OR IMPLIED WARRANTIES, INCLUDING, WITHOUT LIMITATION, THE IMPLIED WARRANTIES OF MERCHANTABILITY AND FITNESS FOR A PARTICULAR PURPOSE.

Copyright (c) 1989 Carnegie Mellon University.

All rights reserved.

Redistribution and use in source and binary forms are permitted provided that the above copyright notice and this paragraph are duplicated in all such forms and that any documentation, advertising materials, and other materials related to such distribution and use acknowledge that the software was developed by Carnegie Mellon University. The name of the University may not be used to endorse or promote products derived from this software without specific prior written permission.

THIS SOFTWARE IS PROVIDED "AS IS" AND WITHOUT ANY EXPRESS OR IMPLIED WARRANTIES, INCLUDING, WITHOUT LIMITATION, THE IMPLIED WARRANTIES OF MERCHANTABILITY AND FITNESS FOR A PARTICULAR PURPOSE.

Copyright (c) 1998 by the Massachusetts Institute of Technology.

All rights reserved.

Redistribution and use of this software in source and binary forms, with or without modification, are permitted provided that the following conditions are met:

1.Redistributions of source code must retain the above copyright notice, this list of conditions and the following disclaimer.

2.Redistributions in binary form must reproduce the above copyright notice, this list of conditions and the following disclaimer in the documentation and/or other materials provided with the distribution.

3.All advertising materials mentioning features or use of this software must display the following acknowledgment:

This product includes software developed by the University of California, Berkeley and its contributors.

4.Neither the name of the University nor the names of its contributors may be used to endorse or promote products derived from this software without specific prior written permission.

THIS SOFTWARE IS PROVIDED BY THE REGENTS AND CONTRIBUTORS "AS IS" AND ANY EXPRESS OR IMPLIED WARRANTIES, INCLUDING, BUT NOT LIMITED TO, THE IMPLIED WARRANTIES OF MERCHANTABILITY AND FITNESS FOR A PARTICULAR PURPOSE ARE DISCLAIMED. IN NO EVENT SHALL THE REGENTS OR CONTRIBUTORS BE LIABLE FOR ANY DIRECT, INDIRECT, INCIDENTAL, SPECIAL, EXEMPLARY, OR CONSEQUENTIAL DAMAGES (INCLUDING, BUT NOT LIMITED TO, PROCUREMENT OF SUBSTITUTE GOODS OR SERVICES; LOSS OF USE, DATA, OR PROFITS; OR BUSINESS INTERRUPTION) HOWEVER CAUSED AND ON ANY THEORY OF LIABILITY, WHETHER IN CONTRACT, STRICT LIABILITY, OR TORT (INCLUDING NEGLIGENCE OR OTHERWISE) ARISING IN ANY WAY OUT OF THE USE OF THIS SOFTWARE, EVEN IF ADVISED OF THE POSSIBILITY OF SUCH DAMAGE.

Permission to use, copy, modify, and distribute this software and its documentation for any purpose and without fee is hereby granted, provided that the above copyright notice appear in all copies and that both that copyright notice and this permission notice appear in supporting documentation, and that the name of M.I.T. not be used in advertising or publicity pertaining to distribution of the software without specific written prior permission.
M.I.T. makes no representations about the suitability of this software for any purpose. It is provided "as is" without express or implied warranty.

curl license:
Copyright (c) 1996 - 2010, Daniel Stenberg, <daniel@haxx.se>.
All rights reserved.

Permission to use, copy, modify, and distribute this software for any purpose with or without fee is hereby granted, provided that the above copyright notice and this permission notice appear in all copies. THE SOFTWARE IS PROVIDED "AS IS", WITHOUT WARRANTY OF ANY KIND, EXPRESS OR IMPLIED, INCLUDING BUT NOT LIMITED TO THE WARRANTIES OF MERCHANTABILITY, FITNESS FOR A PARTICULAR PURPOSE AND NONINFRINGEMENT OF THIRD PARTY RIGHTS. IN NO EVENT SHALL THE AUTHORS OR COPYRIGHT HOLDERS BE LIABLE FOR ANY CLAIM, DAMAGES OR OTHER LIABILITY, WHETHER IN AN ACTION OF CONTRACT, TORT OR OTHERWISE, ARISING FROM, OUT OF OR IN CONNECTION WITH THE SOFTWARE OR THE USE OR OTHER DEALINGS IN THE SOFTWARE.
Except as contained in this notice, the name of a copyright holder shall not be used in advertising or otherwise to promote the sale, use or other dealings in this Software without prior written authorization of the copyright holder.

liboauth license:

Copyright 2007, 2008 Robin Gareus <robin@gareus.org>
Unless otherwise indicated, Source Code is licensed under MIT license.
Permission is hereby granted, free of charge, to any person obtaining a copy of this software and associated documentation files (the "Software"), to deal in the Software without restriction, including without limitation the rights to use, copy, modify, merge, publish, distribute, sublicense, and/or sell copies of the Software, and to permit persons to whom the Software is furnished to do so, subject to the following conditions:
The above copyright notice and this permission notice shall be included in all copies or substantial portions of the Software.

THE SOFTWARE IS PROVIDED "AS IS", WITHOUT WARRANTY OF ANY KIND, EXPRESS OR IMPLIED, INCLUDING BUT NOT LIMITED TO THE WARRANTIES OF MERCHANTABILITY, FITNESS FOR A PARTICULAR PURPOSE AND NONINFRINGEMENT. IN NO EVENT SHALL THE AUTHORS OR COPYRIGHT HOLDERS BE LIABLE FOR ANY CLAIM, DAMAGES OR OTHER LIABILITY, WHETHER IN AN ACTION OF CONTRACT, TORT OR OTHERWISE, ARISING FROM, OUT OF OR IN CONNECTION WITH THE SOFTWARE OR THE USE OR OTHER DEALINGS IN THE SOFTWARE.

jpeg license:

Copyright (c) 2011 The jpeg project. <<http://code.google.com/p/jpeg/>>
Permission is hereby granted, free of charge, to any person obtaining a copy of this software and associated documentation files (the "Software"), to deal in the Software without restriction, including without limitation the rights to use, copy, modify, merge, publish, distribute, sublicense, and/or sell copies of the Software, and to permit persons to whom the Software is furnished to do so, subject to the following conditions:
The above copyright notice and this permission notice shall be included in all copies or substantial portions of the Software.

THE SOFTWARE IS PROVIDED "AS IS", WITHOUT WARRANTY OF ANY KIND, EXPRESS OR IMPLIED, INCLUDING BUT NOT LIMITED TO THE WARRANTIES OF MERCHANTABILITY, FITNESS FOR A PARTICULAR PURPOSE AND NONINFRINGEMENT. IN NO EVENT SHALL THE AUTHORS OR COPYRIGHT HOLDERS BE LIABLE FOR ANY CLAIM, DAMAGES OR OTHER LIABILITY, WHETHER IN AN ACTION OF CONTRACT, TORT OR OTHERWISE, ARISING FROM, OUT OF OR IN CONNECTION WITH THE SOFTWARE OR THE USE OR OTHER DEALINGS IN THE SOFTWARE.

OpenSSL License:

Copyright (c) 1998-2011 The OpenSSL Project. All rights reserved.
Redistribution and use in source and binary forms, with or without modification, are permitted provided that the following conditions are met:

- 1.Redistributions of source code must retain the above copyright notice, this list of conditions and the following disclaimer.
- 2.Redistributions in binary form must reproduce the above copyright notice, this list of conditions and the following disclaimer in the documentation and/or other materials provided with the distribution.
- 3.All advertising materials mentioning features or use of this software must display the following acknowledgment:

"This product includes software developed by the OpenSSL Project for use in the OpenSSL Toolkit. (<http://www.openssl.org/>)"

4.The names "OpenSSL Toolkit" and "OpenSSL Project" must not be used to endorse or promote products derived from this software without prior written permission. For written permission, please contact openssl-core@openssl.org.

5.Products derived from this software may not be called "OpenSSL" nor may "OpenSSL" appear in their names without prior written permission of the OpenSSL Project.

6.Redistributions of any form whatsoever must retain the following acknowledgment:
"This product includes software developed by the OpenSSL Project for use in the OpenSSL Toolkit (<http://www.openssl.org/>)"

THIS SOFTWARE IS PROVIDED BY THE OPENSSL PROJECT "AS IS" AND ANY EXPRESSED OR IMPLIED WARRANTIES, INCLUDING BUT NOT LIMITED TO, THE IMPLIED WARRANTIES OF MERCHANTABILITY AND FITNESS FOR A PARTICULAR PURPOSE ARE DISCLAIMED. IN NO EVENT SHALL THE OPENSSL PROJECT OR ITS CONTRIBUTORS BE LIABLE FOR ANY DIRECT, INDIRECT, INCIDENTAL, SPECIAL, EXEMPLARY, OR CONSEQUENTIAL DAMAGES (INCLUDING, BUT NOT LIMITED TO, PROCUREMENT OF SUBSTITUTE GOODS OR SERVICES; LOSS OF USE, DATA, OR PROFITS; OR BUSINESS INTERRUPTION) HOWEVER CAUSED AND ON ANY THEORY OF LIABILITY, WHETHER IN CONTRACT, STRICT LIABILITY, OR TORT (INCLUDING NEGLIGENCE OR OTHERWISE) ARISING IN ANY WAY OUT OF THE USE OF THIS SOFTWARE, EVEN IF ADVISED OF THE POSSIBILITY OF SUCH DAMAGE.

This product includes cryptographic software written by Eric Young (eay@cryptsoft.com). This product includes software written by Tim Hudson (tjh@cryptsoft.com).

Original SSLeay License

Copyright (C) 1995-1998 Eric Young (eay@cryptsoft.com)

All rights reserved.

This package is an SSL implementation written by Eric Young (eay@cryptsoft.com).

The implementation was written so as to conform with Netscapes SSL.

This library is free for commercial and non-commercial use as long as the following conditions are adhered to. The following conditions apply to all code found in this distribution, be it the RC4, RSA, lhash, DES, etc., code, not just the SSL code. The SSL documentation included with this distribution is covered by the same copyright terms except that the holder is Tim Hudson (tjh@cryptsoft.com).
Copyright remains Eric Young's, and as such any Copyright notices in the code are not to be removed. If this package is used in a product, Eric Young should be given attribution as the author of the parts of the library used. This can be in the form of a textual message at program startup or in documentation (online or textual) provided with the package.

Redistribution and use in source and binary forms, with or without modification, are permitted provided that the following conditions are met:
1.Redistributions of source code must retain the copyright notice, this list of conditions and the following disclaimer.
2.Redistributions in binary form must reproduce the above copyright notice, this list of conditions and the following disclaimer in the documentation and/or other materials provided with the distribution.
3.All advertising materials mentioning features or use of this software must display the following acknowledgment:

"This product includes cryptographic software written by Eric Young (eay@cryptsoft.com)"
The word "cryptographic" can be left out if the routines from the library being used are not cryptographic related :-).

4.If you include any Windows specific code (or a derivative thereof) from the apps directory (application code) you must include an acknowledgement:
"This product includes software written by Tim Hudson (tjh@cryptsoft.com)"

THIS SOFTWARE IS PROVIDED BY ERIC YOUNG "AS IS" AND ANY EXPRESS OR IMPLIED WARRANTIES, INCLUDING, BUT NOT LIMITED TO, THE IMPLIED WARRANTIES OF MERCHANTABILITY AND FITNESS FOR A PARTICULAR PURPOSE ARE DISCLAIMED. IN NO EVENT SHALL THE AUTHOR OR CONTRIBUTORS BE LIABLE FOR ANY DIRECT, INDIRECT, INCIDENTAL, SPECIAL, EXEMPLARY, OR CONSEQUENTIAL DAMAGES (INCLUDING, BUT NOT LIMITED TO, PROCUREMENT OF SUBSTITUTE GOODS OR SERVICES; LOSS OF USE, DATA, OR PROFITS; OR BUSINESS INTERRUPTION) HOWEVER CAUSED AND ON ANY THEORY OF LIABILITY, WHETHER IN CONTRACT, STRICT LIABILITY, OR TORT (INCLUDING NEGLIGENCE OR OTHERWISE) ARISING IN ANY WAY OUT OF THE USE OF THIS SOFTWARE, EVEN IF ADVISED OF THE POSSIBILITY OF SUCH DAMAGE.

The licence and distribution terms for any publically available version or derivative of this code cannot be changed, i.e. this code cannot simply be copied and put under another distribution licence (including the GNU Public Licence).

SIL OPEN FONT LICENSE
Version 1.1 - 26 February 2007

PREAMBLE

The goals of the Open Font License (OFL) are to stimulate worldwide development of collaborative font projects, to support the font creation efforts of academic and linguistic communities, and to provide a free and open framework in which fonts may be shared and improved in partnership with others.

The OFL allows the licensed fonts to be used, studied, modified and redistributed freely as long as they are not sold by themselves. The fonts, including any derivative works, can be bundled, embedded, redistributed and/or sold with any software provided that any reserved names are not used by derivative works. The fonts and derivatives, however, cannot be released under any other type of license. The requirement for fonts to remain under this license does not apply to any document created using the fonts or their derivatives.

DEFINITIONS

"Font Software" refers to the set of files released by the Copyright Holder(s) under this license and clearly marked as such. This may include source files, build scripts and documentation.

"Reserved Font Name" refers to any names specified as such after the copyright statement(s).

"Original Version" refers to the collection of Font Software components as distributed by the Copyright Holder(s).

"Modified Version" refers to any derivative made by adding to, deleting, or substituting — in part or in whole — any of the components of the Original Version, by changing formats or by porting the Font Software to a new environment.

"Author" refers to any designer, engineer, programmer, technical writer or other person who contributed to the Font Software.

PERMISSION & CONDITIONS

Permission is hereby granted, free of charge, to any person obtaining a copy of the Font Software, to use, study, copy, merge, embed, modify, redistribute, and sell modified and unmodified copies of the Font Software, subject to the following conditions:

1) Neither the Font Software nor any of its individual components, in Original or Modified Versions, may be sold by itself.

2) Original or Modified Versions of the Font Software may be bundled, redistributed and/or sold with any software, provided that each copy contains the above copyright notice and this license. These can be included either as stand-alone text files, human-readable headers or in the appropriate machine-readable metadata fields within text or binary files as long as those fields can be easily viewed by the user.

3) No Modified Version of the Font Software may use the Reserved Font Name(s) unless explicit written permission is granted by the corresponding Copyright Holder. This restriction only applies to the primary font name as presented to the users.

4) The name(s) of the Copyright Holder(s) or the Author(s) of the Font Software shall not be used to promote, endorse or advertise any Modified Version, except to acknowledge the contribution(s) of the Copyright Holder(s) and the Author(s) or with their explicit written permission.

5) The Font Software, modified or unmodified, in part or in whole, must be distributed entirely under this license, and must not be distributed under any other license. The requirement for fonts to remain under this license does not apply to any document created using the Font Software.

TERMINATION

This license becomes null and void if any of the above conditions are not met.

DISCLAIMER

THE FONT SOFTWARE IS PROVIDED "AS IS", WITHOUT WARRANTY OF ANY KIND, EXPRESS OR IMPLIED, INCLUDING BUT NOT LIMITED TO ANY WARRANTIES OF MERCHANTABILITY, FITNESS FOR A PARTICULAR PURPOSE AND NONINFRINGEMENT OF COPYRIGHT, PATENT, TRADEMARK, OR OTHER RIGHT. IN NO EVENT SHALL THE COPYRIGHT HOLDER BE LIABLE FOR ANY CLAIM, DAMAGES OR OTHER LIABILITY, INCLUDING ANY GENERAL, SPECIAL, INDIRECT, INCIDENTAL, OR CONSEQUENTIAL DAMAGES, WHETHER IN AN ACTION OF CONTRACT, TORT OR OTHERWISE, ARISING FROM, OUT OF THE USE OR INABILITY TO USE THE FONT SOFTWARE OR FROM OTHER DEALINGS IN THE FONT SOFTWARE.

Manufacturer might service at user's cost for following request made by customer.

1. Customer notice.

- ✓ Please make regular schedule to check unit status (Daily check is recommended).
- ✓ Manufacturer will not take any responsibility on the physical/human damage caused by robbery, natural disaster.
- ✓ A/S will include product only manufactured by original manufacturer.
- ✓ Any damage caused during installation will be dealt with Installation Company.
- ✓ Manufacturer doesn't take any responsibility on wrong specified feature excluded in product manual or described improperly by other shopping mall.
- ✓ Please make sure to backup recorded data as recorded data will be removed while manufacturer repair the unit. Manufacturer will not be responsible for any data loss caused during repair service.

2. Service request for product usage.

- ✓ Service request on signal check according to usage environment, power check, network setting.

3. Installation or explanation request on external device to be integrated with this product.

4. Simple assemble or disassemble, adjustment and any request for S/W upgrade.

- ✓ Service request for any damage caused by other stuff coming into device.
- ✓ In case of simple adjustment without disassemble.
- ✓ Just for S/W upgrade (not for product repair)

5. Others

- ✓ Any damage comes from carelessness of customer or explanation request for usage.
(Please contact manufacturer for consumable parts)
- ✓ Any damage comes from wrong media use and service request for this.
- ✓ Any damage comes from wrong installation.

※ We recommend for user to contact (☎+82-1644-3421) before claiming customer service since customer service will require certain amount of cost.

Warranty

Product name	Digital Video Recorder	Warranty term
Model name	4 CHANNEL PoE NVR (V3) 8 CHANNEL PoE NVR (V3) 16 CHANNEL PoE NVR (V3) 16 CHANNEL NVR (V2) 36 CHANNEL PoE NVR 16 CHANNEL FULL SIZE NVR 36 CHANNEL FULL SIZE NVR 64 CHANNEL FULL SIZE NVR 16 CHANNEL RAID NVR 36 CHANNEL RAID NVR 64 CHANNEL RAID NVR 64 CHANNEL HOT SWAP NVR	1 years after purchase (This warranty term can be changed by contract for supply.)
Date of purchase	/ /	
Warranty term	/ /	
Serial number		

Customer's address	Name	
	Contact	
Address of shop(Company name)	Name	
	Contact	

◆ Please fill out vacant area before selling products.

★ For customer service ★

Please read through product manual before claiming customer service.
 Any simple malfunctions due to customer's misunderstanding on the product will be fixed by customer's side.
 For requesting service?
 Please inform details of malfunctions correctly.
 Free or non-free repair will be decided based on details of warranty card.

WebGate Inc.

6F Hanlim Venture Town B/D 284 Gongdanro Gunpo Gyeonggido, 435-862 Korea
 Main TEL: +82-31-428-9300
 Client Service TEL: +82-1644-3421

The damage coming from following condition will be repaired at customer's cost.

- 1) Any damage comes from customer's carelessness.
- 2) In case not recommended power is entered.
- 3) In case user repair unit at their own.
- 4) Any damage comes from natural disaster (Fire, Flood, earthquake, etc)
- 5) Consumable parts replacement.

WEBGATE



The World's first certified by
HDcctv Alliance

Premium to your **HD-CCTV**

WEBGATE

